

TPC101-APL

10.1" All-in-one Panel PC

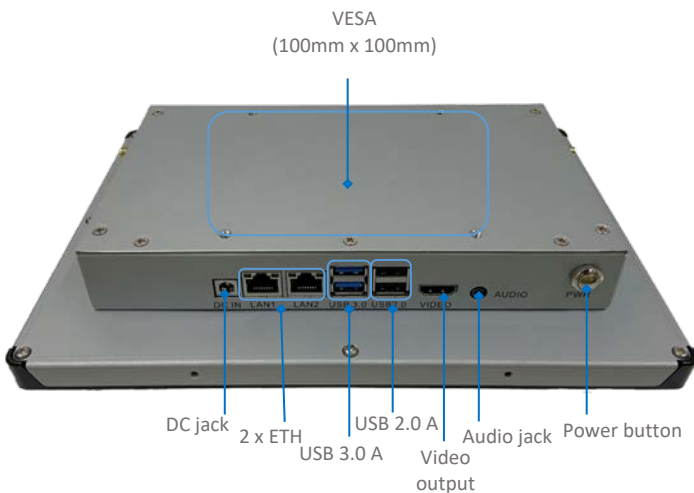


Product Brief

Vantron TPC101-APL is an open-frame 10.1" all-in-one panel PC, powered by the high-performance Intel Atom® E3940 processor. It features a 10-point PCAP touchscreen monitor with an aspect ratio of 16:10 and a resolution of 1280 x 800. TPC101-APL offers multiple configuration options. Its rich interfaces allow for connection of different peripherals and displays, making it very suitable to be applied in self-service kiosks and multi-media terminals. It offers both VESA pattern and side brackets for installation, enabling users to mount and maintain the device more flexibly for industrial control.

Vantron TPC series all-in-one panel PCs offer an overall solution that integrates the touchscreen monitor, display, processor, and software operating system, making them a first choice in IoT applications.

Exterior and Features



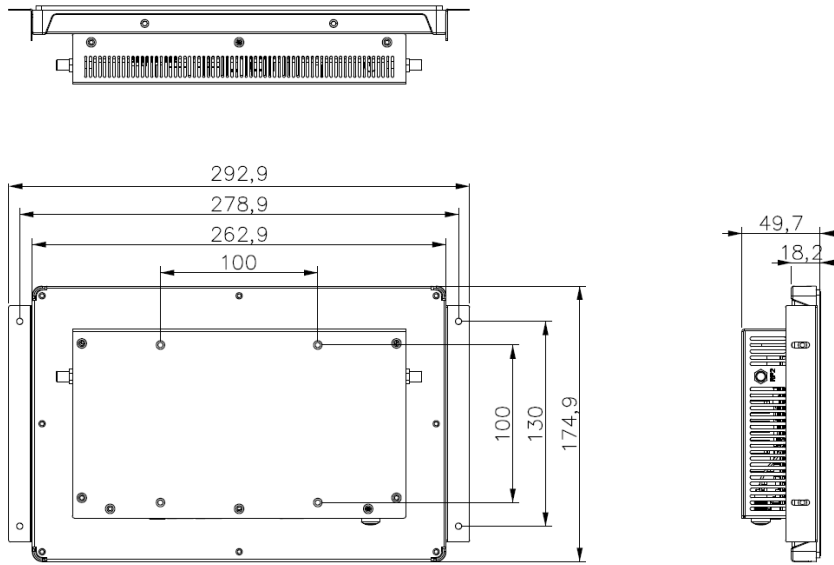
TPC101-APL

- Intel Atom® E3940 Quad-core high-performance processor
- Windows 10 IoT system, Linux distributions available
- 10.1-inch TFT LCD, 16:10, 1280 x 800
- Ethernet/Wi-Fi/Bluetooth/4G LTE supported
- Dual gigabit Ethernet ports
- Front bezel for true flat installation
- IP65-rated front panel

TPC101-APL 10.1" All-in-one Panel PC Datasheet

TPC101-APL				
System	CPU	Intel Atom®, APL-I E3940 Quad-core processor, 1.8GHz (Max.)		
	Memory	1 x DDR3L SO-DIMM socket, 8GB (Optional: 4GB)		
	Storage	64GB eMMC SSD expansion supported (M.2 B-Key 2242)		
Communication	Ethernet	2 x RJ45, 10/100/1000Mbps		
	Wi-Fi & BT	Wi-Fi 802.11 a/b/g/n/ac + BT 5.0		
	Cellular	Optional: 4G LTE		
Media	Display	10.1-inch TFT LCD	Contrast ratio: 800:1	
		Resolution: 1280 x 800 @60Hz	Aspect ratio: 16:10	
		Brightness: 300 nits	Viewing angle: 85/85/80/80 (U/D/L/R)	
	Extended display	1 x HDMI, up to 3840 x 2160 @30Hz		
	TP	10-point PCAP touch screen	Surface hardness: 6H	
		Surface treatment (Optional): Anti-glare (AG), anti-reflection (AR)	Cover lens: At least IK03 rated Light transmittance ratio: > 85%	
Audio	1 x 3.5mm combo audio jack			
I/Os	USB	2 x USB 3.0 Type-A	2 x USB 2.0 Type-A	
	RTC	Supported		
	WDT	Supported		
System control	Button	1 x Power button		
Software	OS	Windows 10 IoT	Optional: Linux	
Power	Input	12V~36V DC	1 x DC jack	
	Consumption	~ 15W		
Mechanical	Dimensions	262.9mm x 174.9mm x 47.7mm (Panel cutout recommended: 258mm x 170mm)		
	Casing color	Silver gray		
	Installation	VESA mounting (100mm x 100mm, M4 x 10mm) Side mounting		
	Weight	1.5kg		
	Protective features	Front panel IP65		
	Heat dissipation	Heatsink		
Environment condition	Temperature	Operating: -10°C ~ +50°C		
		Storage: -20°C ~ +70°C		
	Humidity	Operating: 20% ~ 80% RH (Non-condensing)		
		Storage: 10% ~ 90% RH (Non-condensing)		
Certification	CCC, FCC			
Warranty	2 years			

Product Outlines



Ordering Information

Ordering No.	Memory	Storage	Wi-Fi & BT	Ethernet	4G LTE
TPC101-APL-L	4GB	64GB	Yes	Yes	-
TPC101-APL-L4	4GB	64GB	Yes	Yes	Yes
TPC101-APL-H	8GB	64GB	Yes	Yes	-
TPC101-APL-H4	8GB	64GB	Yes	Yes	Yes

Packing List	
TPC101-APL all-in-one panel PC	1
Wi-Fi & BT antenna	1
Qualified certificate	1

Optional accessories	
12V 3A DC adapter	1
AC power cable (US)	1
4G LTE antenna	1

Since its establishment in 2002 by two Silicon Valley entrepreneurs, Vantron Technology has been at the forefront of the connected IoT devices and IoT platform solutions. Today, Vantron boasts a global customer base that includes Fortune Global 500 companies. Its product lines cover intelligent edge hardware, IoT communication devices, intelligent displays, and BlueSphere cloud platforms.

Vantron’s intelligent displays are comprised of industrial tablets, touchscreen monitors, and all-in-one panel PCs that deliver enhanced device performance and exceptional human-machine interactive experiences. The industrial tablets are powered by industry-leading brands such as Rockchip, NXP, MediaTek, and Intel. The touchscreen monitors offer flexible installation options to cater to various application scenarios. The all-in-one panel PCs offer an overall solution that integrates the touchscreen monitor, display, processor, and operating system. Moreover, the displays are built to excel in harsh environments thanks to advanced features like waterproofing, dustproofing, and shatter resistance.

TPC101-APL V1.5 © 2024 Vantron Technology, Inc. All rights reserved. This document may be updated or modified by Vantron Technology without prior notice.