



## TMO215

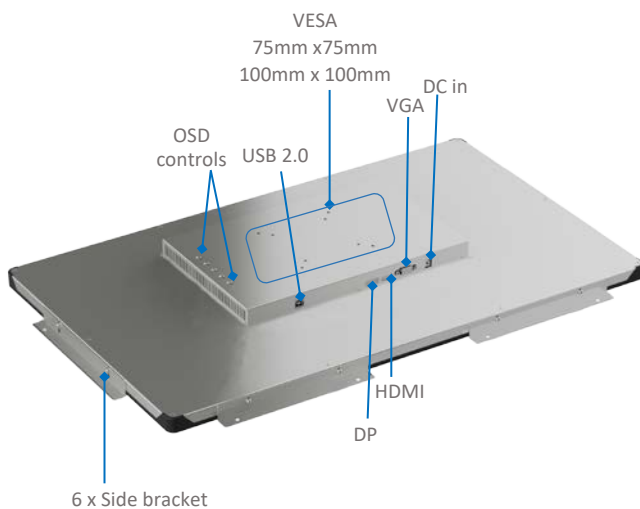
### 21.5" Open-frame Touchscreen Monitor

#### Product Brief

Vantron Technology offers open-frame touchscreen monitors that vary in screen size from 7 inches to 27 inches and resolution from 1024 x 600 to 1920 x 1080. When used with Vantron embedded computers, such touchscreen monitors will offer more flexible solutions for customers to meet the requirements of application in different scenarios such as industrial control, health care, education, retail, transportation, and finance.

TMO215 open-frame touchscreen monitor applies a 21.5-inch screen and features quick response time, large visible area and viewing angle to optimize the display performance. The screen is designed to be anti-fingerprint, and users have the option to equip the touchscreen with anti-glare and anti-reflection coatings that offer excellent visual experience and improve human-machine interaction accuracy. Moreover, TMO215 offers flexible installation options and OSD controls to enhance user experience.

#### Exterior and Features



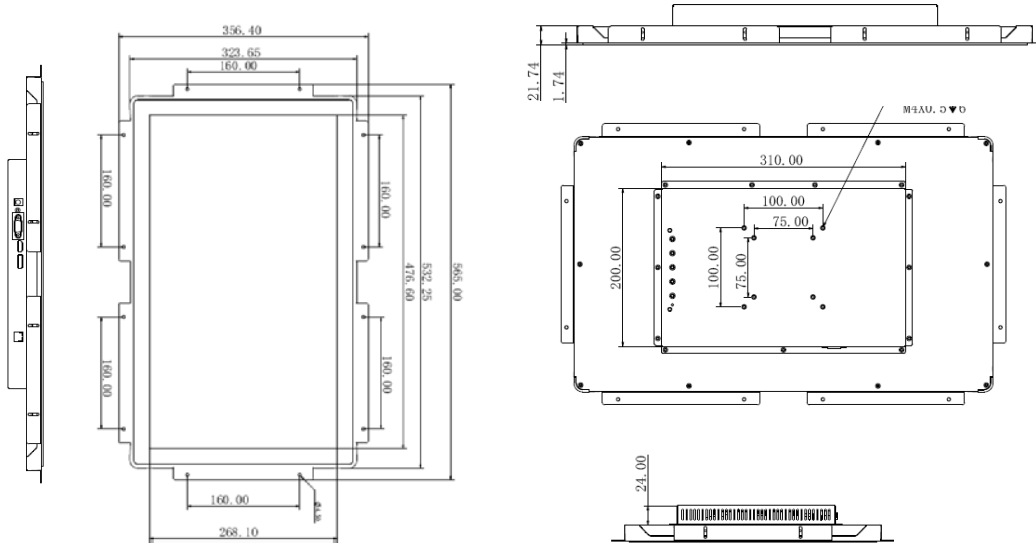
#### TMO215

-  21.5" TFT LCD, 10-point PCAP touchscreen
-  Full HD video output
-  AR/AG touchscreen available
-  Flexible installation
-  Excellent longevity (50,000H MTBF)
-  Vanity free, easy integration

**TMO215 21.5" Open-frame Touchscreen Monitor**

Specifications		
<b>Display</b>	Model	TMO215
	Diagonal size	21.5" TFT LCD with LED backlight
	Aspect ratio	16:9
	Resolution	1920 x 1080
	Brightness	250 nits
	Active area	476.64mm × 268.11mm
	Contrast ratio	1000:1
	Number of colors	16.7M
	Response time	14ms
	Viewing angle	Horizontal: 178° Vertical: 178°
<b>Touch panel</b>	Touch point	10-point PCAP touchscreen
	Touch control	Finger, stylus pen
	Cover lens thickness	3mm
	Surface treatment	Anti-fingerprint, tempered glass (Optional: Anti-glare / Anti-reflection)
	Light transmittance ratio	>85%
	Touch communication interface	USB 2.0
<b>Video</b>	Video interface	1 x VGA 1 x DP 1 x HDMI
<b>Mechanical</b>	Dimensions	532.25mm x 323.65mm x 45.74mm (without brackets)
	Weight	5.7kg
	Installation	VESA mount (100mm x 100mm, 75mm x 75mm) Side bracket mount
	OSD	Built-in OSD (set up with OSD keys) Controls: Menu, Up, Down, Back, Power
<b>Software</b>	Power input	12V DC
	Power consumption	<18W
	Language	Chinese and English
	Adjustment of brightness, contrast ratio and color temperature	Supported
<b>Environment Condition</b>	Temperature	Operating: 0°C~+40°C Storage: -20°C~+60°C
	Humidity	RH 10%~90% (non-condensing)
	MTBF	50,000 hours
	Warranty	3 years
	ESD	ESD: ±4KV (contact) and ±8KV (air)
	Certificate	CCC, FCC, CE, UL

**Product Outlines**



**Ordering Information**

Ordering No.	AG	AR
TMO215-G	Yes	-
TMO215-GR	Yes	Yes
TMO215	-	-

Optional accessories	
DP cable	1

Packing List	
TMO215 touchscreen monitor	1
Power adapter	1
Power cable	1
Touch USB cable	1
Side mounting bracket	1 (kit)
HDMI cable	1
VGA cable	1

Since its establishment in 2002 by two Silicon Valley entrepreneurs, Vantron Technology has been at the forefront of the connected IoT devices and IoT platform solutions. Today, Vantron boasts a global customer base that includes several Fortune 500 companies. Its product lines cover edge intelligent hardware, IoT communication devices, industrial displays and BlueSphere cloud device management platform.

Vantron’s intelligent display systems are comprised of mobile PCs and touchscreen monitors that deliver enhanced device performance and exceptional human-machine interactive experience. The mobile PCs are powered by industry-leading brands such as Rockchip, NXP, MediaTek, and Intel. The touchscreen monitors offer flexible installation options to cater to various application scenarios. Moreover, the displays are built to excel in harsh environments thanks to advanced features like waterproofing, dustproofing, and shatter resistance.

TMO215 V1.8 © 2023 Vantron Technology, Inc. All rights reserved. Vantron Technology, Inc. reserves the right to update or modify this document at any time without prior notice.