

## TMO101

# 10.1" Open-frame Touchscreen Monitor

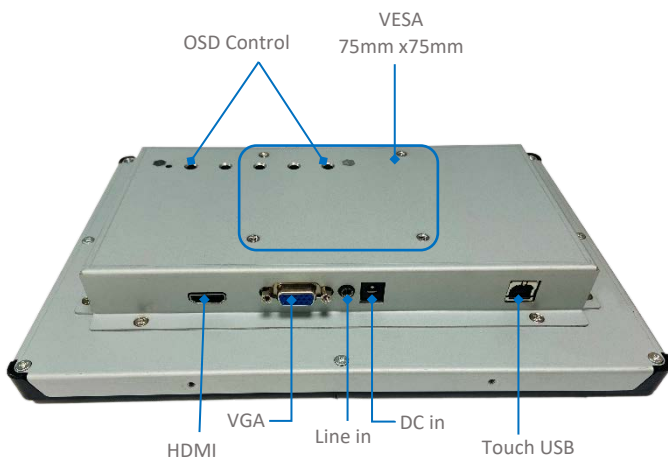


### Product Brief

Vantron Technology offers open-frame touchscreen monitors that vary in screen size from 7 inches to 27 inches and resolution from 1024 x 600 to 1920 x 1080. When used with Vantron embedded computers, such touchscreen monitors will offer more flexible solutions for customers to meet the requirements of application in different scenarios such as industrial control, health care, education, retail, transportation, and finance.

TMO101 open-frame touchscreen monitor applies a 10.1-inch screen and features quick response time, large visible area and viewing angle to optimize the display performance. Users have the option to equip the touchscreen with anti-glare, anti-reflection and anti-fingerprint coatings that offer excellent visual experience and improve human-machine interaction accuracy. Moreover, TMO101 offers flexible installation options and OSD controls to enhance user experience.

### Exterior and Features



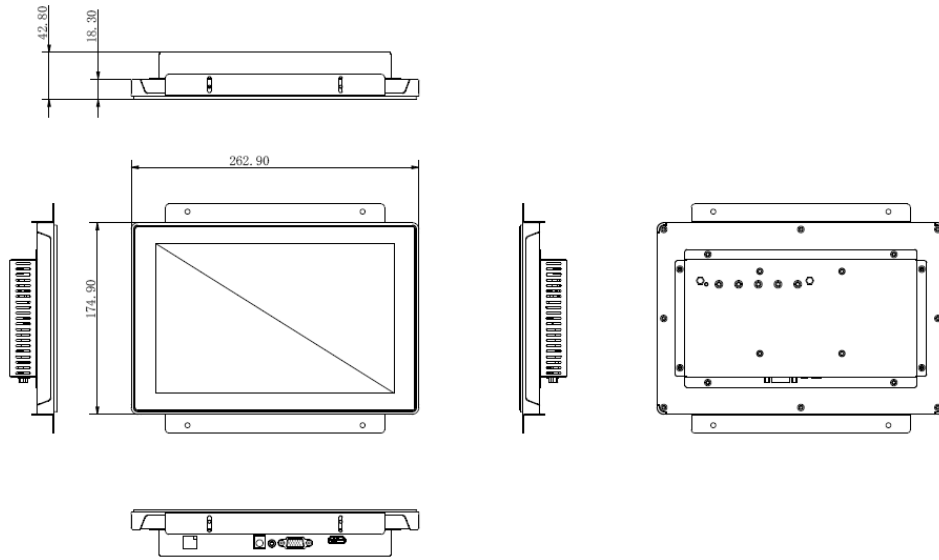
#### TMO101

-  10.1" TFT LCD, 10-point PCAP touchscreen
-  Sleek appearance
-  AF/AR/AG touchscreen
-  Flexible installation
-  Excellent longevity (50,000H MTBF)
-  Vanity free, easy integration

**TMO101 10.1" Open-frame Touchscreen Monitor**

Specifications		
<b>Display</b>	Model	TMO101
	Diagonal size	10.1" TFT LCD with LED backlight
	Aspect ratio	16:10
	Resolution	1280 x 800
	Brightness	350 nits
	Active area	216.96mm x 135.6mm
	Contrast ratio	800:1
	Number of colors	16.7M
	Response time	25ms
	Viewing angle	Horizontal: 170° Vertical: 170°
<b>Touch panel</b>	Touch point	10-point PCAP touchscreen
	Touch control	Finger, stylus pen
	Cover lens thickness	1.1mm
	Surface treatment	Anti-fingerprint, tempered glass (Optional: Anti-glare / Anti-reflection)
	Light transmittance ratio	>85%
	Touch communication interface	USB 2.0
<b>Video</b>	Video interface	1 x VGA 1 x HDMI
<b>Audio</b>	Audio interface	1 x Line in (Optional)
<b>Mechanical</b>	Dimensions	262.9mm x 174.9mm x 42.8mm (without brackets)
	Weight	1.5kg
	Installation	VESA mount (75mm x 75mm) Side bracket mount
	OSD	Built-in OSD (set up with OSD keys) Controls: Menu, Up, Down, Back, Power
<b>Software</b>	Power input	12V DC
	Power consumption	<7W
	Language	Chinese and English
	Adjustment of brightness, contrast and color temperature	Supported
<b>Environment Condition</b>	Temperature	Operating: 0°C ~ +40°C Storage: -20°C ~ +60°C
	Humidity	RH 10%~90% (non-condensing)
	MTBF	50,000 hours
	Warranty	3 years
	ESD	ESD: ±4KV (contact) and ±8KV (air)
Certificate	CCC, FCC, CE, UL	

## Product Outlines



## Ordering Information

Ordering No.	AG	AR
TMO101-G	Yes	-
TMO101-GR	Yes	Yes
TMO101	-	-

Packing List	
TMO101 touchscreen monitor	1
Power adapter	1
Power cable	1
Touch USB cable	1
Side mounting bracket	1 (kit)
HDMI cable	1
VGA cable	1

Since its establishment in 2002 by two Silicon Valley entrepreneurs, Vantron Technology has been at the forefront of the connected IoT devices and IoT platform solutions. Today, Vantron boasts a global customer base that includes several Fortune 500 companies. Its product lines cover edge intelligent hardware, IoT communication devices, industrial displays and BlueSphere cloud device management platform.

Vantron's intelligent display systems are comprised of mobile PCs and touchscreen monitors that deliver enhanced device performance and exceptional human-machine interactive experience. The mobile PCs are powered by industry-leading brands such as Rockchip, NXP, MediaTek, and Intel. The touchscreen monitors offer flexible installation options to cater to various application scenarios. Moreover, the displays are built to excel in harsh environments thanks to advanced features like waterproofing, dustproofing, and shatter resistance.