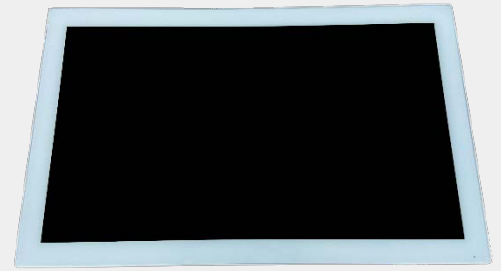


TMC270 27" Desktop/ Wall-mountable Touchscreen Monitor

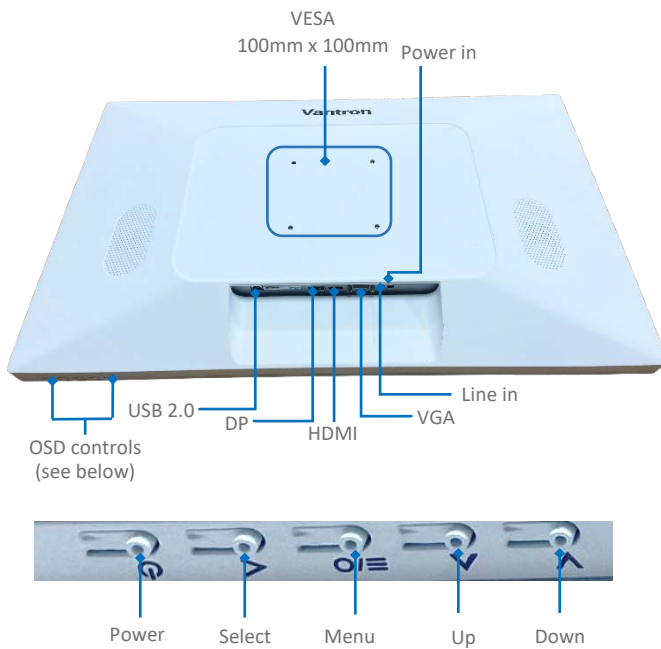


Product Brief Introduction

Vantron Technology offers desktop/wall-mountable touchscreen monitors that vary in screen size from 15.6 inches to 27 inches and resolution from 1280 x 1024 to 1920 x 1080. When used with Vantron embedded computers, such touchscreen monitors will offer more flexible solutions for customers to meet the requirements of application in different scenarios, in particular in the medical health area.

TMC270 touchscreen monitor applies a 27-inch screen and features quick response time, large visible area and viewing angle to optimize the display performance. The screen is designed to be anti-fingerprint, and users have the option to equip the touchscreen with anti-glare and anti-reflection coatings that offer excellent visual experience and improve human-machine interaction accuracy. Moreover, TMC270 is designed with VESA hole patterns to simplify mounting onto a variety of stands, arms, walls or medical carts. The OSD controls allow users to change settings of the display in a more convenient manner to enhance user experience.

Exterior and Features



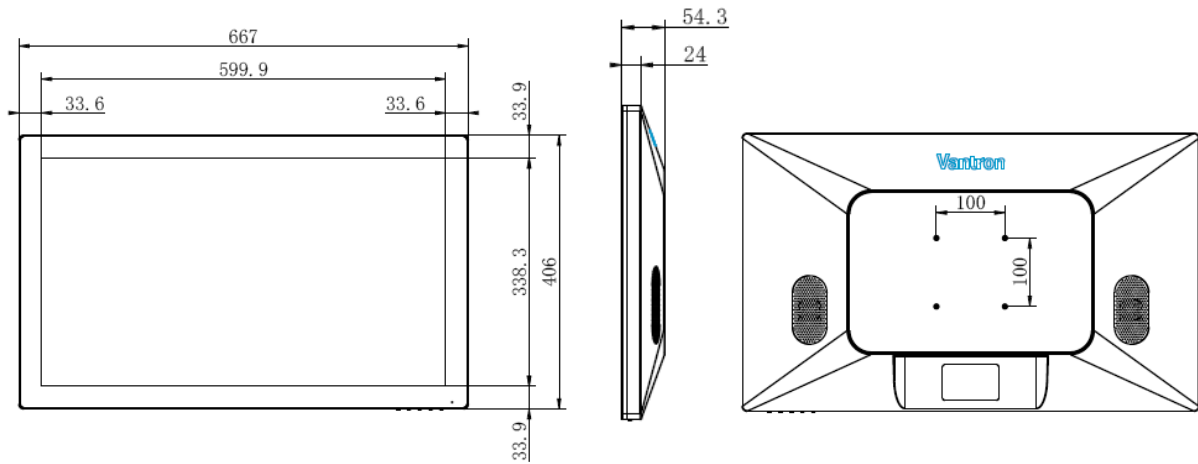
TMC270

-  27" TFT LCD, 10-point PCAP touchscreen
-  Sleek appearance
-  AR/AG touchscreen available
-  Flexible installation
-  Excellent longevity (50,000H MTBF)
-  Vanity free, easy integration

27" Desktop/Wall-mountable Touchscreen Monitor

TMC270		
	Diagonal size	27" TFT LCD with LED backlight
	Aspect ratio	16:9
	Resolution	1920 x 1080
	Brightness	300 nits
	Active area	597.6mm × 336.15mm
	Contrast ratio	3000:1
	Number of colors	16.7M
	Response time	12ms
	Viewing angle	Horizontal: 178° Vertical: 178°
Touch panel	Touch point	10-point PCAP touchscreen
	Touch control	Finger, stylus pen
	Cover lens thickness	3mm
	Surface treatment	Anti-fingerprint, tempered glass (Optional: Anti-glare / Anti-reflection)
	Light transmittance ratio	>85%
	Touch communication interface	USB 2.0
Video	Video input	1 x VGA 1 x DP 1 x HDMI
Audio	Audio interface	1 x Line in (Optional)
Mechanical	Dimensions	667mm x 406mm x 54.3mm
	Weight	9.5kg
	Installation	VESA mount (100mm x 100mm)
	OSD	Built-in OSD (set up with OSD keys) Controls: Menu, Up, Down, Select, Power
Software	Power input	12V DC
	Power consumption	<28W
	Language	Chinese and English
	Adjustment of brightness, contrast ratio and color temperature	Supported
Environment Condition	Temperature	Operating: 0°C~+40°C Storage: -20°C~+60°C
	Humidity	10%~90% RH (non-condensing)
	MTBF	50,000 hours
	Warranty	3 years
	ESD	ESD: ±4KV (contact) and ±8KV (air)
	Certificate	CCC, FCC, CE, UL

Product Outlines



Accessories and Order Information

Accessories		
TMC270	Power cable	1 pc
	Adapter	1 pc
	USB cable	1 pc
	HDMI/VGA/DP cable	1 pc for each

Order Info	TMC270
-x	-1: Anti-glare (AG) -2: Anti-reflection (AR) -3: AG + AR treatment
Example	TMC270-1: Anti-glare touchscreen

Company Profile

Since 2002 established by two Silicon Valley entrepreneurs, Vantron Technology has been a pioneer in connected IoT devices and IoT platform solutions. Today, Vantron serves countless customers all over the world, some of them are Fortune 500 companies. Products lines cover edge intelligent hardware, IoT communication devices, industrial displays and BlueSphere cloud device management platform.

Vantron has 20 years of experience in R&D of embedded edge intelligent hardware like SOM board and motherboard, and provided users with various embedded solutions with ARM and X86 architecture. From Linux to Windows, from embedded to desktop level, from gateway to server. At the same time, we provide our users with system clipping, driver transplantation and other services.

Vantron IoT communication devices support multi-protocol connection of industrial equipment, edge computing of local data. Abundant wired and wireless connectivity make remote operations and maintenance possible. From electricity and transportation to smart retail, medical and warehousing, Vantron IoT communication device can be deployed anywhere in any business section. Vantron believes its IoT solution to help many companies finish their digital transformation, efficiency of manufacturing and productivities have been improved significantly.

Vantron industrial display systems, ARM and X86 series, are equipped with Rockchip, NXP, MediaTek, Intel and other high-performance processors. It supports various operating systems such as Windows, Linux, and Android. Diverse wireless communications keep your device online all the time. Multiple installation methods make it suitable for a variety of application scenarios. Features like waterproof, dustproof, shatter resistant guarantee the best performance in any environment.

Vantron BlueSphere device management platform, a software product, is playing a big role in Vantron overall IoT solution. Today, Vantron puts more focus on offering complete cost effective, leading-edge yet reliable solutions to help customers carry out their visions.