

# TMC215 21.5" Desktop/ Wall-mountable Touchscreen Monitor

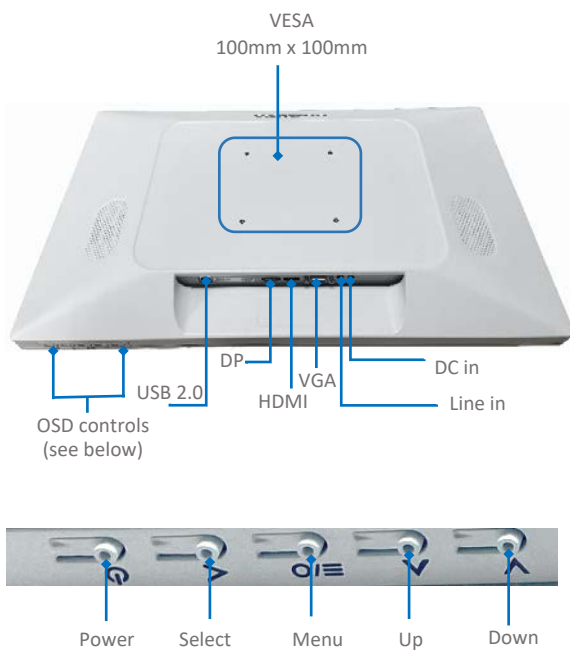


## Product Brief Introduction

Vantron Technology offers desktop/wall-mountable touchscreen monitors that vary in screen size from 15.6 inches to 27 inches and resolution from 1280 x 1024 to 1920 x 1080. When used with Vantron embedded computers, such touchscreen monitors will offer more flexible solutions for customers to meet the requirements of application in different scenarios, in particular in the medical health area.

TMC215 applies a 21.5-inch screen and features quick response time, large visible area and viewing angle to optimize the display performance. The screen is designed to be anti-fingerprint, and users have the option to equip the touchscreen with anti-glare and anti-reflection coatings that offer excellent visual experience and improve human-machine interaction accuracy. Moreover, TMC215 is designed with VESA hole patterns to simplify mounting onto a variety of stands, arms, walls or medical carts. The OSD controls allow users to change settings of the display in a more convenient manner to enhance user experience.

## Exterior and Features



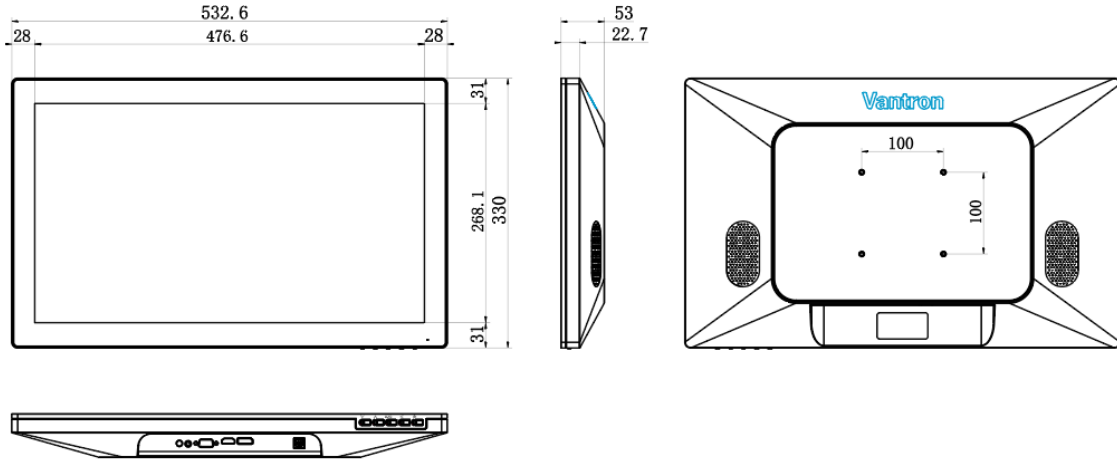
### TMC215

-  21.5" TFT LCD, 10-point PCAP touchscreen
-  Sleek appearance
-  AR/AG touchscreen available
-  Flexible installation
-  Excellent longevity (50,000H MTBF)
-  Compact design, easy integration

## 21.5" Desktop/Wall-mountable Touch Monitor Datasheet

TMC215		
<b>Display</b>	Diagonal size	21.5" TFT LCD with LED backlight
	Aspect ratio	16:9
	Resolution	1920 x 1080
	Brightness	250 nits
	Active area	476.64mm × 268.11mm
	Contrast ratio	1000:1
	Number of colors	16.7M
	Response time	14ms
	Viewing angle	Horizontal: 178° Vertical: 178°
<b>Touch panel</b>	Touch point	10-point PCAP touch screen
	Touch control	Finger, stylus pen
	Cover lens thickness	3mm
	Surface treatment	Anti-fingerprint, tempered glass (Optional: Anti-glare / Anti-reflection)
	Light transmittance ratio	>85%
	Touch communication interface	USB 2.0
<b>Video</b>	Video interface	1 x VGA 1 x DP 1 x HDMI
<b>Audio</b>	Audio interface	1 x Line in (Optional)
<b>Mechanical</b>	Dimensions	532.6mm x 330mm x 53mm
	Weight	6.0 kg
	Installation	VESA mount (100mm x 100mm)
	OSD	Built-in OSD (set up with OSD keys) Controls: Menu, Up, Down, Select, Power
<b>Software</b>	Power input	12V DC
	Power consumption	<18W
	Language	Chinese and English
	Adjustment of brightness, contrast ratio and color temperature	Supported
<b>Environment Condition</b>	Temperature	Operating: 0°C~+40°C Storage: -20°C~+60°C
	Humidity	RH 10%~90% (non-condensing)
	MTBF	50,000 hours
	Warranty	3 years
	ESD	ESD: ±4KV (contact) and ±8KV (air)
	Certificate	CCC, FCC, CE, UL

## Product Outlines



## Accessories and Order Information

Accessories		
TMC215	Power cable	1 pc
	Adapter	1 pc
	USB cable	1 pc
	HDMI/VGA/DP cable	1 pc for each

Order Info	TMC215
- x	-1: Anti-glare (AG) -2: Anti-reflection (AR) -3: AG + AR treatment
Example	TMC215-1: Anti-glare touchscreen

## Company Profile

Since 2002 established by two Silicon Valley entrepreneurs, Vantron Technology has been a pioneer in connected IoT devices and IoT platform solutions. Today, Vantron serves countless customers all over the world, some of them are Fortune 500 companies. Products lines cover edge intelligent hardware, IoT communication devices, industrial displays and BlueSphere cloud device management platform.

Vantron has 20 years of experience in R&D of embedded edge intelligent hardware like SOM board and motherboard, and provided users with various embedded solutions with ARM and X86 architecture. From Linux to Windows, from embedded to desktop level, from gateway to server. At the same time, we provide our users with system clipping, driver transplantation and other services.

Vantron IoT communication devices support multi-protocol connection of industrial equipment, edge computing of local data. Abundant wired and wireless connectivity make remote operations and maintenance possible. From electricity and transportation to smart retail, medical and warehousing, Vantron IoT communication device can be deployed anywhere in any business section. Vantron believes its IoT solution to help many companies finish their digital transformation, efficiency of manufacturing and productivities have been improved significantly.

Vantron industrial display systems, ARM and X86 series, are equipped with Rockchip, NXP, MediaTek, Intel and other high-performance processors. It supports various operating systems such as Windows, Linux, and Android. Diverse wireless communications keep your device online all the time. Multiple installation methods make it suitable for a variety of application scenarios. Features like waterproof, dustproof, shatter resistant guarantee the best performance in any environment.

Vantron BlueSphere device management platform, a software product, is playing a big role in Vantron overall IoT solution. Today, Vantron puts more focus on offering complete cost effective, leading-edge yet reliable solutions to help customers carry out their visions.