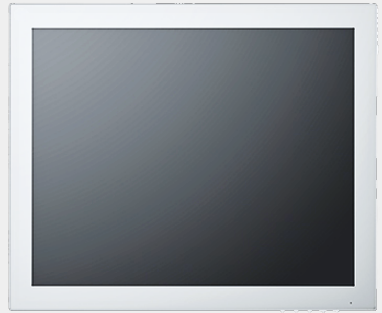


TMC190 19" Desktop/ Wall-mountable Touchscreen Monitor

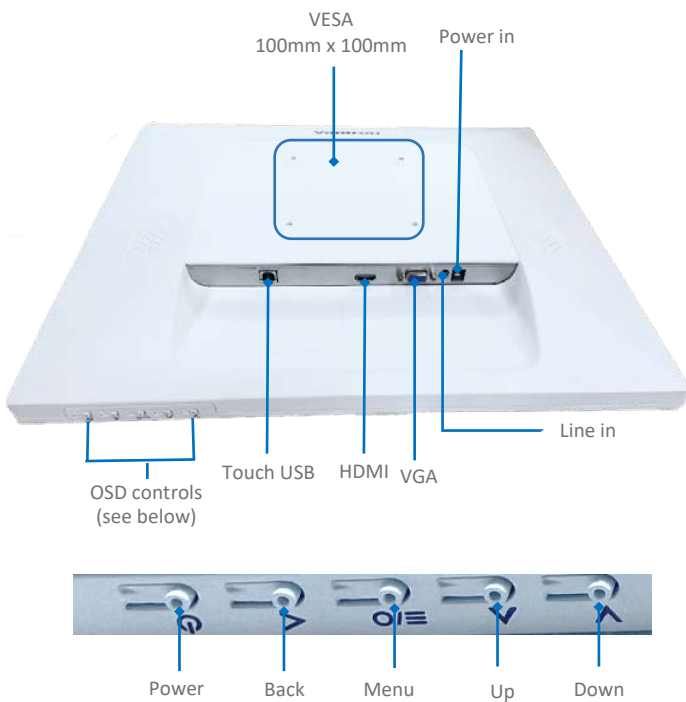


Product Brief

Vantron Technology offers desktop/wall-mountable touchscreen monitors that vary in screen size from 15.6 inches to 27 inches and resolution from 1280 x 1024 to 1920 x 1080. When used with Vantron embedded computers, such touchscreen monitors will offer more flexible solutions for customers to meet the requirements of application in different scenarios, in particular in the medical health area.

TMC190 touchscreen monitor applies a 19-inch screen and features quick response time, large visible area and viewing angle to optimize the display performance. The screen is designed to be anti-fingerprint, and users have the option to equip the touchscreen with anti-glare and anti-reflection coatings that offer excellent visual experience and improve human-machine interaction accuracy. Moreover, TMC190 is designed with VESA hole patterns to simplify mounting onto a variety of stands, arms, walls or medical carts. The OSD controls allow users to change settings of the display in a more convenient manner to enhance user experience.

Exterior and Features

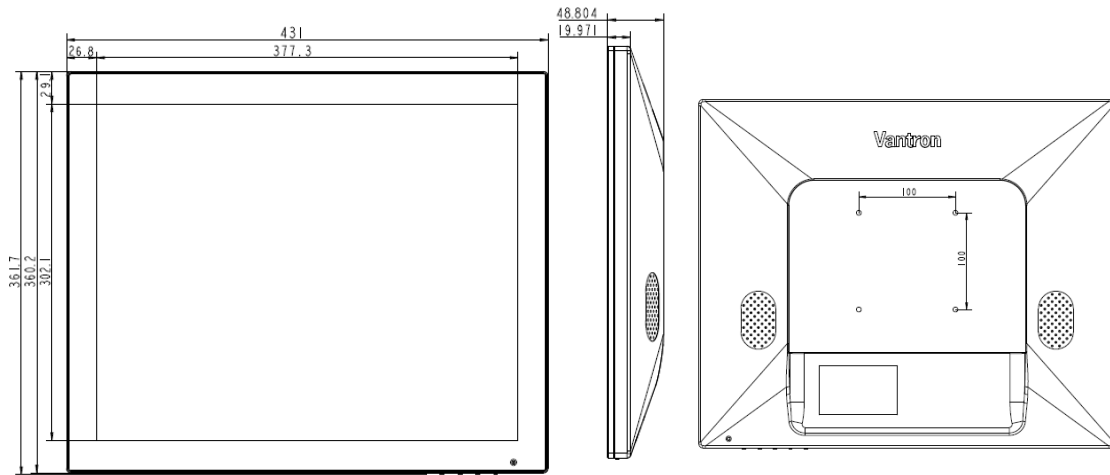


TMC190	
	19.0" TFT LCD, 10-point PCAP touch screen
	Sleek appearance
	AR/AG touch screen available
	Flexible installation
	Excellent longevity (50,000H MTBF)
	Compact design, easy integration

19" Desktop/Wall-mountable Touchscreen Monitor Datasheet

TMC190		
Display	Diagonal size	19.0" TFT LCD with LED backlight
	Aspect ratio	5:4
	Resolution	1280 x 1024
	Brightness	250 nits
	Active area	377.32mm × 302.06mm
	Contrast ratio	1000:1
	Number of colors	16.7M
	Response time	15ms
	Viewing angle	Horizontal: 170° Vertical: 160°
Touch panel	Touch point	10-point PCAP touch screen
	Touch control	Finger, stylus pen
	Cover lens thickness	3mm
	Surface treatment	Anti-fingerprint, tempered glass (Optional: Anti-glare / Anti-reflection)
	Light transmittance ratio	>85%
	Touch communication interface	USB 2.0
Video	Video interface	1 x VGA
		1 x HDMI
Audio	Audio interface	1 x Line in (Optional)
Mechanical	Dimensions	431mm x 361.7mm x 48.8mm
	Weight	5.0kg
	Installation	VESA mount (100mm x 100mm)
	OSD	Built-in OSD (set up with OSD keys) Controls: Menu, Up, Down, Back, Power
Software	Power input	12V DC
	Power consumption	<18W
	Language	Chinese and English
	Adjustment of brightness, contrast ratio and color temperature	Supported
Environment Condition	Temperature	Operating: 0°C ~ +40°C
		Storage: -20°C ~ +60°C
	Humidity	RH 10%~90% (non-condensing)
	MTBF	50,000 hours
	Warranty	3 years
	ESD	ESD: ±4KV (contact) and ±8KV (air)
Certificate	CCC, FCC, CE, UL	

Product Outlines



Ordering Information

Ordering No.	AG	AR
TMC190-G	Yes	-
TMC190-GR	Yes	Yes
TMC190	-	-

Packing List	
TMC190 touchscreen monitor	1
Power adapter	1
Power cable	1
Touch USB cable	1
HDMI cable	1
VGA cable	1

Since its establishment in 2002 by two Silicon Valley entrepreneurs, Vantron Technology has been at the forefront of the connected IoT devices and IoT platform solutions. Today, Vantron boasts a global customer base that includes several Fortune 500 companies. Its product lines cover edge intelligent hardware, IoT communication devices, industrial displays and BlueSphere cloud device management platform.

Vantron’s intelligent display systems are comprised of mobile PCs, touchscreen monitors and all-in-one panel PCs that deliver enhanced device performance and exceptional human-machine interactive experiences. The mobile PCs are powered by industry-leading brands such as Rockchip, NXP, MediaTek, and Intel. The touchscreen monitors offer flexible installation options to cater to various application scenarios. The all-in-one panel PCs offer an overall solution that integrates the touchscreen monitor, display, processor, and operating system. Moreover, the displays are built to excel in harsh environments thanks to advanced features like waterproofing, dustproofing, and shatter resistance.

TMC190 V1.7 © 2023 Vantron Technology, Inc. All rights reserved. Vantron Technology, Inc. reserves the right to update or modify this document at any time without prior notice.