

M10R1-RK35-L

10" Rugged Industrial Tablet



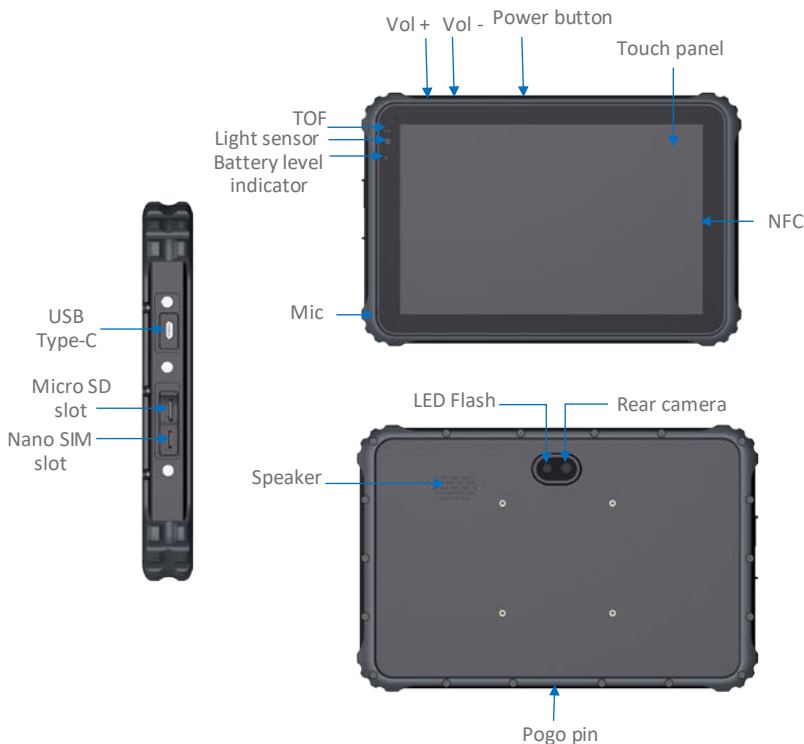
Product Brief

Vantron M10R1-RK35-L is a cost-optimized version of M10R1-RK35 rugged industrial tablet, with reduced peripherals and thinner profile. It is powered by Rockchip RK3588S low-power high-performance octa-core processor, combined with ARM Mali-G610 MP4 GPU for 3D/2D graphic acceleration and a 6 TOPS NPU for industrial applications such as healthcare, plant walk-down, prison automation, and more.

M10R1-RK35-L features a 10-inch 16:10 IPS TFT LCD, with a resolution up to 1920 x 1200 and a brightness of 400 nits to provide clear visuals even in bright sunlight or harsh lighting conditions. It is IP65 rated for water and dust resistance. Additionally, it has also been drop-tested from a height of 1.5m on all 6 sides, ensuring that it can withstand accidental drops and bumps without skipping a beat.

M10R1-RK35-L offers a pogo pin header to allow users to connect additional accessories or peripherals with ease. It supports up to 40W PD charging, ensuring quick and efficient charging when needed.

Exterior and Features



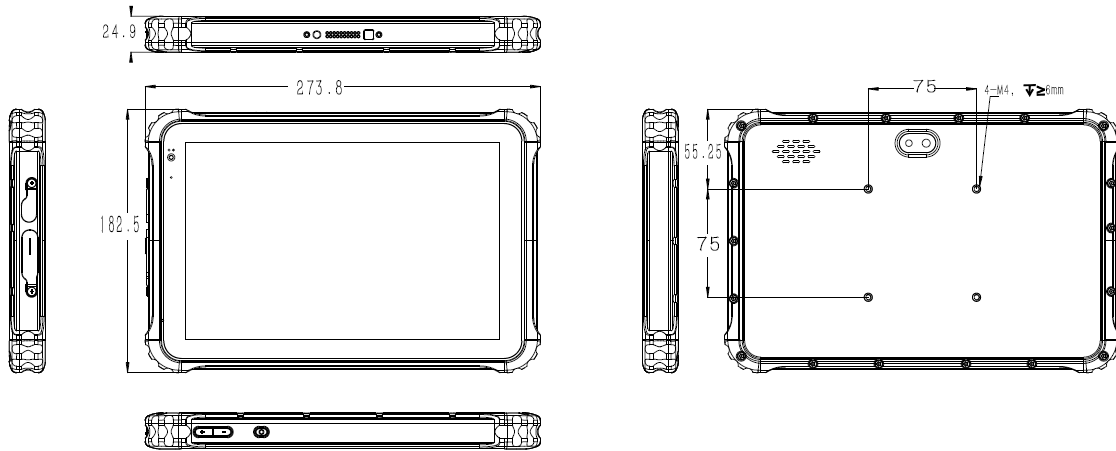
M10R1-RK35-L

- 4GB LPDDR4 + 64GB eMMC V5.1
- 8MP rear camera with LED flash
- IPS panel, 1920 x 1200, 400 nits
- NFC at 13.5MHz
- IP65, 1.5m drop test on 6 sides
- Pogo pin for flexible expansion
- USB Type-C, support data, DisplayPort, PD charge, etc.

M10R1-RK35-L 10" Rugged Industrial Tablet Datasheet

| M10R1-RK35-L | | | | |
|------------------------------|---|--|---|--|
| System | CPU | Rockchip RK3588S Quad-core ARM Cortex-A76 MPCore processor + Quad-core ARM Cortex-A55 MPCore processor, Max. 2.4GHz | | |
| | GPU | ARM Mali-G610 MP4, Max. 1GHz | | |
| | NPU | 6 TOPs | | |
| | Memory | 4GB LPDDR4 | | |
| | Storage | 64GB eMMC V5.1 | | |
| Communication | Wi-Fi & Bluetooth | Wi-Fi 802.11 a/b/g/n/ac/ax + BT 5.1 | | |
| | Cellular | 2G/3G/4G, LTE CAT 4 | | |
| | GNSS | GPS + BeiDou + GLONASS + Galileo, A-GPS supported | | |
| | NFC | Supported, 13.5MHz | | |
| Media | Display | 10" 16:10 IPS TFT LCD | | |
| | | Resolution | 1920 x 1200 | |
| | | Color depth | 16.7M | |
| | | Brightness | 400 nits | |
| | | Contrast ratio | 1000:1 | |
| | | Viewing angle | Horizontal: 85° / Vertical: 85° | |
| | TP | 10-point G + G PCAP touch screen | | |
| | | Finishing process: Toughening | Surface hardness: 6H | |
| Audio | 1 x 8Ω/2w speaker | 1 x Mic | | |
| I/Os | USB | 1 x USB 3.0 Type-C, support data transfer, DisplayPort, PD charging, debugging | | |
| | Pogo pin | 2 x 10 pin, support 2 x USB 3.0, 100Mbps Ethernet RJ45, 3.5mm Combo audio Jack, 12V DC power input, 5V DC power output | | |
| | SIM card slot | 1 x Nano SIM slot | | |
| | SD slot | 1 x Micro SD slot (class 4 & class 10 supported, up to 128GB) | | |
| | RTC | Supported | | |
| | Watchdog timer | Supported | | |
| System Control | Sensor | 1 x Light sensor | 1 x Gyro-sensor | |
| | | 1 x G-sensor | 1 x Geomagnetic sensor | |
| | | 1 x TOF sensor | | |
| | Button | 1 x Volume+ button | 1 x Volume- button | |
| 1 x Power button | | | | |
| LED indicator | 1 x Battery level indicator (Red: Low power; Amber: Charging; Green: Charged) | | | |
| Software | OS | Android 13, Linux Yocto + QT | | |
| | Power | Input | USB Type-C power input, 5V/2A, 9V/2A, 12V/2A, 20V/2A, 40W PD charging supported | |
| Mechanical | Battery | 5000mAh/7.4V | | |
| | Material | PC, ABS | | |
| | | Dimensions | 273.8.6mm x 182.5mm x 24.9mm | |
| | | Installation | VESA (75mm x 75mm) | |
| | | Net weight | 973g | |
| Performance Standard | IP rating | IP65 | | |
| | Drop testing | Drop from 1.5m onto concrete surfaces on 6 sides | | |
| | MIL-STD-810H | Vibration, thermal shock, solar radiation, liquid pollution | | |
| | Battery testing | UN38.3 MSDS Sea/Freight, IEC62133 | | |
| Environment Condition | Temperature | Operating: 0°C ~+60°C | Storage: -30°C ~+70°C | |
| | Humidity | 20%~80% RH (Non-condensing) | | |
| | Certification | MIL-STD-810H | FCC (FCC Part 15 Class B) | |
| | | ISED, CE | ESD (Contact: ±4KV, Air: ±8KV) | |

Product Outlines



Ordering Information

| Ordering No. | Memory | Storage | Features |
|--------------|--------|---------|--|
| M10R1-RK35-L | 4GB | 64GB | USB-C, NFC, GNSS, Cellular, Wi-Fi, BT, Android 13, Linux Yocto +QT |

| Packing list | |
|--------------------------------|---|
| M10R1-RK35-L Industrial tablet | 1 |
| USB power adapter | 1 |
| USB Type-C cable | 1 |
| Qualified certificate | 1 |

Since its establishment in 2002 by two Silicon Valley entrepreneurs, Vantron Technology has been at the forefront of the connected IoT devices and IoT platform solutions. Today, Vantron boasts a global customer base that includes several Fortune Global 500 companies. Its product lines cover edge intelligent hardware, IoT communication devices, industrial displays and BlueSphere cloud platforms.

Vantron's intelligent display systems are comprised of industrial tablets, touchscreen monitors, and all-in-one panel PCs that deliver enhanced device performance and exceptional human-machine interactive experience. The industrial tablets are powered by industry-leading brands such as Rockchip, NXP, MediaTek, and Intel. The touchscreen monitors offer flexible installation options to cater to various application scenarios. The all-in-one panel PCs offer an overall solution that integrates the touchscreen monitor, display, processor, and operating system. Moreover, the displays are built to excel in harsh environments thanks to advanced features like waterproofing, dustproofing, and shatter resistance.