

M10R1 10" Rugged Industrial Tablet

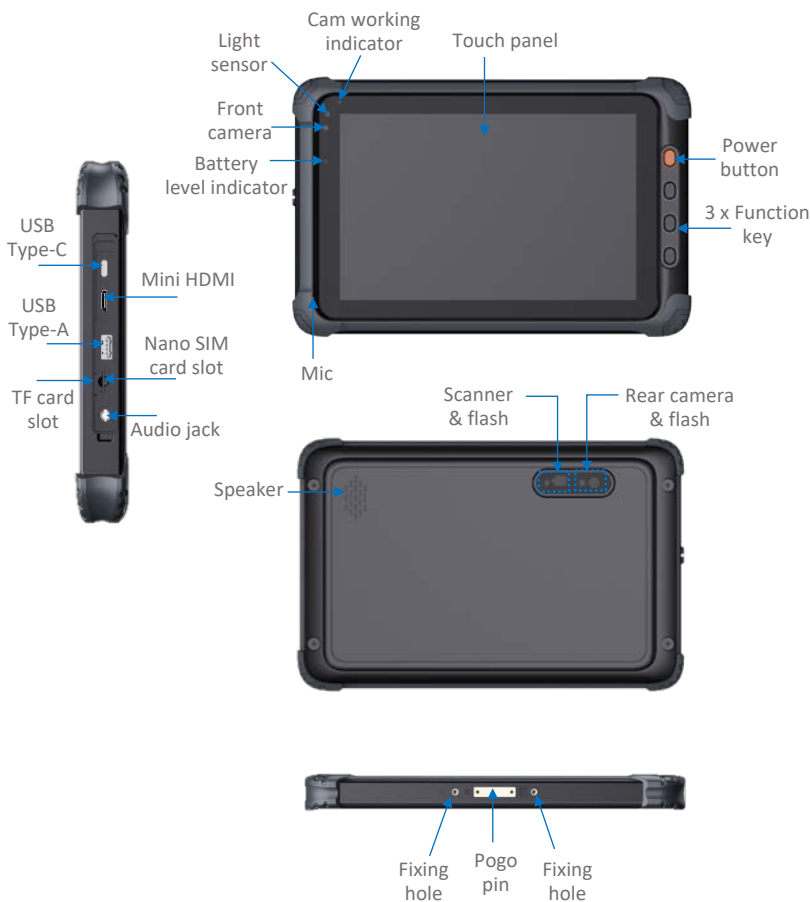


Product Brief

Vantron M10R1 high-performance rugged industrial tablet was designed for industrial applications, especially in healthcare, plant walk-down, law enforcement patrol, and prison automation. The device is powered by Intel® ATOM multi-core processor with a 10-inch full HD capacitive touch screen to offer excellent human-machine interaction experience.

While featuring flexible specification options, large capacity battery, and out-performing power management system, it is fully rugged with IP65 water resistance and 1.5m drop resistance design to protect the device from damage in the event of fluid spill or accident drop. Its high-brightness display ensures optimal outdoor performance and the large capacity battery is more than enough to get through a day of work.

Exterior and Features



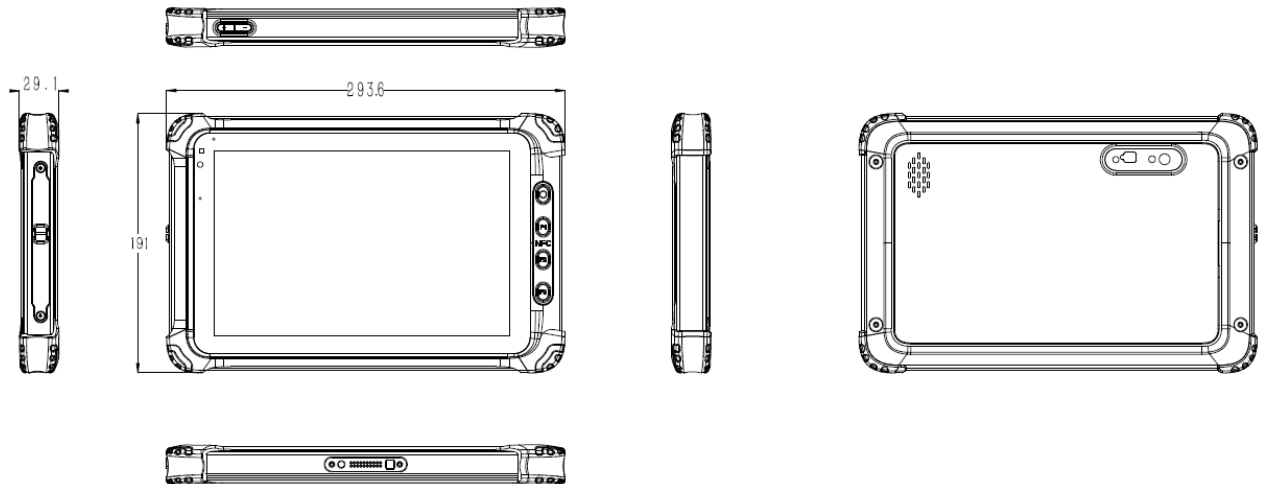
M10R1	
	Automotive-grade chip
	Front & rear cameras, built-in barcode scanner
	IPS panel, 1920 x 1200, 600 nits
	6000mAh Battery, lasting for 8 hours
	IP65, 1.5m drop test on 6 sides
	Pogo pin for flexible expansion
	USB Type-C, data transmission and charge supported

M10R1 10" Rugged Industrial Tablet Datasheet

M10R1				
System	CPU	Intel® ATOM x5-E3940 processor		
	Memory	4GB LPDDR4 (Optional: 8GB)		
	Storage	128GB eMMC V5.1 (Optional: 256GB) 1 x M.2 B-Key slot for SSD expansion		
Communication	Wi-Fi & Bluetooth	Wi-Fi 802.11 a/b/g/n/ac + BT 5.1		
	Cellular	2G, 3G, 4G		
	GNSS	GPS + BeiDou + GLONASS + Galileo, AGPS supported, built-in antenna		
	NFC	Linux system: Supported; Windows system: Optional		
Media	Display	10" 16:10 IPS panel		
		Resolution	1920 x 1200	
		Brightness	600 nits	
		Contrast Ratio	1000:1	
		Viewing Angle	Horizontal: ±85° or 170° / Vertical: ±85° or 170°	
	TP	10-point G + G PCAP touchscreen		
	Camera	Finishing process: Toughening	Surface hardness: 6H	
		Front camera	2MP, fixed focus, with working indicator	
Audio	Rear camera	8MP, auto focus, with flash		
	1 x 4Ω/2w speaker	1 x Mic		
I/Os	USB	1 x USB 3.0 Type-A	1 x USB 2.0 Type-C	
	Built-in barcode scanner	Bar width	> 8Mil	
		Pixel	> 640 x 480	
	Extended display	1 x Mini HDMI		
	Pogo pin	2 x 20 pin, supporting CAN J1939, USB 3.0, 100Mbps Ethernet RJ45, Audio Jack, RS232/RS485 Combo, TJA1100HN 100Base-T1 PHY		
	SIM card slot	1 x Nano SIM slot		
	TF slot	1 x TF slot (up to 128GB)		
Security	1 x TPM 2.0			
Sensor	Light sensor	1 x Light sensor		
	Gyro-sensor	1 x Gyro-sensor		
	G-Sensor	1 x G-sensor		
System Control	Button	1 x Power button	3 x Function button	
		1 x Volume +/- button		
Software	LED indicator	1 x Battery level indicator	1 x Camera working indicator	
	OS	Windows 10 ITSC 2019, Linux		
Power	Input	USB Type-C power input (20V adapter required)		
	Battery	6000mAh/7.6V, 8 hours working time*		
Mechanical	Material	PC, ABS		
	Dimensions	293.6mm x 191mm x 29.1mm		
	Net weight	850g		
Performance Standard	IP rating	IP65		
	Drop test	MIL-STD-810H, drop from 1.5m onto a plywood surface over concrete on 6 sides		
	Vibration	MIL-STD-810H: Method 516.8, Procedure I Operating: 20G, Idle: 40G		
	Thermal shock	MIL-STD-810H: Method 503.7 Operating: -20°C ~+60°C, Idle: -30°C ~+70°C		
	Solar radiation	MIL-STD-810H: Method 505.7		
	Liquid pollution	MIL-STD-810H: Method 504.3		
Environment Condition	Temperature	Operating: -20°C ~+60°C	Storage: -30°C ~+70°C	
	Humidity	20%~80% RH (Non-condensing)		
	Certification	MIL-STD-810H	FCC (FCC Part 15 Class B)	
ISED, CE		ESD (Contact: ±4KV, Air: ±8KV)		

* Source: Test with 1080p video play at 50% volume and 200 nits brightness.

Product Outlines



Ordering Information

Ordering No.	Memory	Storage	Add-on feature
M10R1-L	4GB	128GB	-
M10R1-LN	4GB	128GB	NFC (Linux system)
M10R1-H	8GB	256GB	-
M10R1-HN	8GB	256GB	NFC (Linux system)

Packing list	
M10R1 Industrial tablet	1
USB Type-C power adapter	1
USB cable	1
Qualified certificate	1

Since its establishment in 2002 by two Silicon Valley entrepreneurs, Vantron Technology has been at the forefront of the connected IoT devices and IoT platform solutions. Today, Vantron boasts a global customer base that includes several Fortune 500 companies. Its product lines cover edge intelligent hardware, IoT communication devices, industrial displays and BlueSphere cloud device management platform.

Vantron's intelligent display systems are comprised of industrial tablets, touchscreen monitors, and all-in-one panel PCs that deliver enhanced device performance and exceptional human-machine interactive experience. The industrial tablets are powered by industry-leading brands such as Rockchip, NXP, MediaTek, and Intel. The touchscreen monitors offer flexible installation options to cater to various application scenarios. The all-in-one panel PCs offer an overall solution that integrates the touchscreen monitor, display, processor, and operating system. Moreover, the displays are built to excel in harsh environments thanks to advanced features like waterproofing, dustproofing, and shatter resistance.