

M081 8" Rugged Industrial Tablet



Product Brief

Vantron M081 high-performance rugged industrial tablet was designed for industrial applications, especially in healthcare, plant walkdown, law enforcement patrol, and prison automation. The device is Android-based, powered by Rockchip multi-core processor with an 8-inch capacitive touchscreen to offer excellent human-machine interaction experience.

While featuring flexible specification options, excellent cost performance, and out-performing power management system, it is fully rugged for water, dust and vibration resistance so as to protect the screen from damage in extreme conditions. It provides different wireless accesses for communication in a safe and secure manner. The large-capacity battery is more than enough to get through a day of work. Better yet, it supports wireless charging to ensure the device holder misses nothing in the hectic schedule.

Exterior and Features

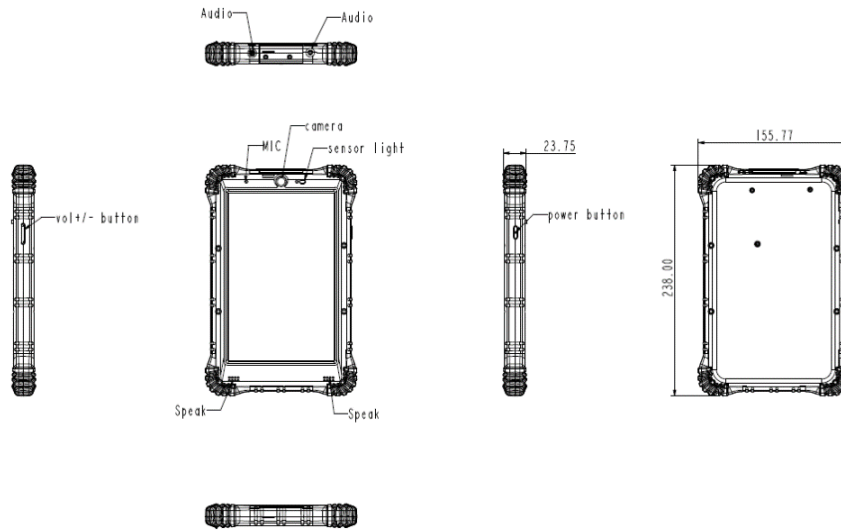


M081	
	Android 10
	2GB Memory and 16GB Storage, expandable
	Front camera, 5MP, fixed focus
	8000mAh Battery
	8" IPS TFT LCD with 2mm toughened glass Resolution: 1280 x 800, Brightness: 250cd/m ²
	Wi-Fi 802.11 a/b/g/n/ac + BT 5.0
	USB Type-C, power charge & data transmission supported
	Double security protection: password & fingerprint recognition
	Fast and convenient wireless charging

M081 8" Rugged Industrial Tablet Datasheet

M081		
System	CPU	RK3288W, Quad-core ARM Cortex-A17 processor, 1.6GHz (Max)
	GPU	Mail-T764
	Memory	2GB (Optional: 4GB)
	Storage	16 GB (Optional: 32GB)
Communication	Wi-Fi & Bluetooth	Wi-Fi 802.11 a/b/g/n/ac + BT 5.0
	FM	Optional
	NFC	Optional
Media	Display	8" IPS TFT LCD Resolution: 1280 x 800 Brightness: 250 cd/m ²
	TP	5-point capacitive touch screen
	Camera	Front camera: 5MP, Fixed focus
	Audio	1 x 3.5mm combo audio jack 2 x 0.8W/8Ω speaker 1 x Mic
I/Os	USB	1 x USB 2.0 Type-C (power charge & USB OTG supported)
	RTC	Supported
Sensor	Light sensor	Supported
	Proximity sensor	Supported
	G-Sensor	Supported
	Fingerprint sensor	Optional
System Control	Button	1 x Power on/off 1 x Volume -/+
	LED	Red: Low power Green: Fully charged
Software	OS	Android 10
	Device management platform	BlueSphere MDM
	OTA tool	BlueSphere OTA
Power	Input	1 x Power jack, 5V/3A DC (recommended) USB Type-C power input supported
	Battery	Single-cell Li-ion battery: 8000mAh/3.7V
	Wireless charging	Optional
Mechanical	Dimensions	235mm x 153mm x 21mm
Environment Condition	Temperature	Operating: -10°C~+60°C Storage: -20°C~+70°C
	Humidity	Operating: 20%-80% RH Storage: 20%-80% RH
	Certification	FCC (Part 15 class B) ESD (Contact: ±4KV and Air: ±8KV)

Product Outlines



Ordering Information

Ordering No.	Memory	Storage	Add-on features
M081-L	2GB	16GB	-
M081-H	4GB	32GB	-
M081-HA	4GB	32GB	NFC, fingerprint recognition, wireless charging

Packing list	
M081 Industrial tablet	1
5V/3A Power adapter (with cable)	1

Optional Accessories	
5V/3A Power adapter (USB port)	1
USB cable	1

Since its establishment in 2002 by two Silicon Valley entrepreneurs, Vantron Technology has been at the forefront of the connected IoT devices and IoT platform solutions. Today, Vantron boasts a global customer base that includes several Fortune 500 companies. Its product lines cover edge intelligent hardware, IoT communication devices, industrial displays and BlueSphere cloud device management platform.

Vantron's intelligent display systems are comprised of industrial tablets, touchscreen monitors and all-in-one panel PCs that deliver enhanced device performance and exceptional human-machine interactive experience. The industrial tablets are powered by industry-leading brands such as Rockchip, NXP, MediaTek, and Intel. The touchscreen monitors offer flexible installation options to cater to various application scenarios. The all-in-one panel PCs offer an overall solution that integrates the touchscreen monitor, display, processor, and operating system. Moreover, the displays are built to excel in harsh environments thanks to advanced features like waterproofing, dustproofing, and shatter resistance.