

IBOX66 Embedded Industrial Computer



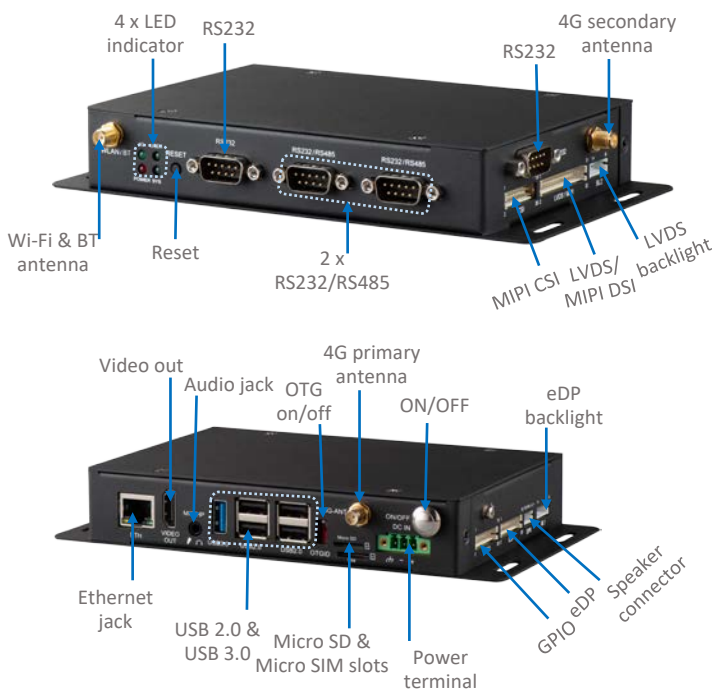
Product Brief

Vantron IBOX66 is a multi-functional embedded industrial computer designed for smart businesses. Running the Android 11 operating system, the high-performance industrial computer is GMS certified to enable customers to have unimpeded access to Google mobile services.

IBOX66 is powered by a quad-core ARM Cortex-A55 processor, featuring great performance and cost efficiency. With 4GB memory and 32GB eMMC storage, it features quick access to data and ultra large capacity. As such, it is capable of dealing with huge volume of data in a timely manner.

As IBOX66 provides rich interfaces, a wide choice of peripherals can be connected for extended applications, including barcode scanners, cameras, barcode printers and keyboard plates. It also supports ultra-high-definition video outputs thanks to the high-performance video engine coupled with H.265 (HEVC) hardware decoding and 1080p/4K video decoding. Moreover, display interfaces of different specifications allow flexible application of the device in intelligent retailing, new retailing, financial self-service terminals, and other scenarios.

Exterior and Features

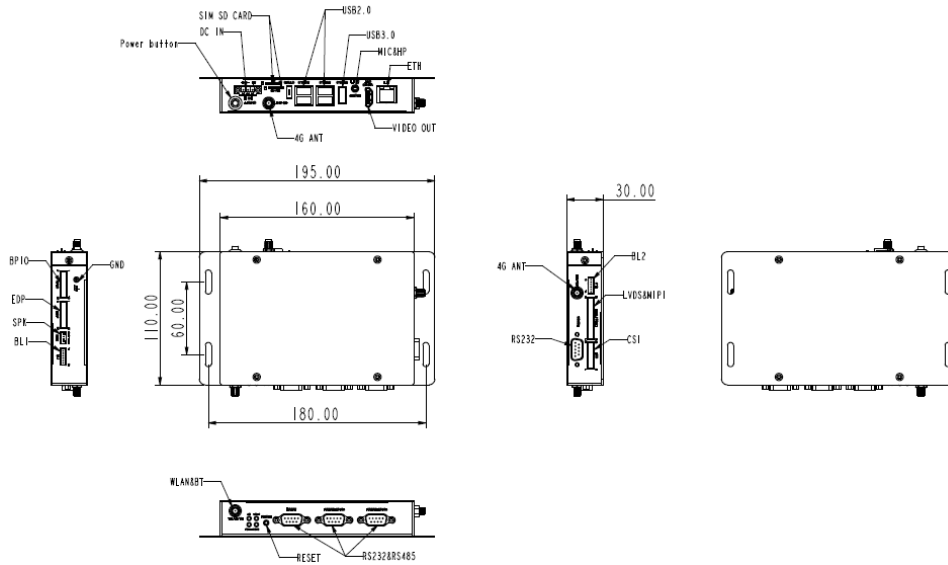


IBOX66	
	Quad-core ARM Cortex-A55 processor
	4GB Memory and 32GB Storage by default
	Android 11, optional Linux
	eDP/LVDS/MIPI interface for display
	5 x USB, 2 x RS232, 2 x RS232/485
	Wi-Fi/BT/4G/ETH for communication
	Interfacing with Bluesphere MDM for real-time tracking

IBOX66 Embedded Industrial Computer Datasheet

IBOX66			
System	CPU	Quad-core ARM Cortex-A55 processor, 1.8GHz (Max)	
	Memory	4GB (up to 8GB)	
	Storage	32GB (up to 128GB) 1 x Micro SD card slot (up to 128GB)	
Communication	Ethernet	1 x RJ45, 10M/100M/1000Mbps	
	4G LTE (AT&T, Verizon)	Optional	
	Wi-Fi & Bluetooth	Wi-Fi 802.11 a/b/g/n/ac + BT 5.0	
Media	Display	1 x HDMI Type-A, 4K @60Hz 1 x 4-lane eDP, 2560 x 1600 @60Hz 1 x 8-lane MIPI DSI (including 4 lanes multiplexed to LVDS): single-channel MIPI DSI: 1920 x 1080 @60Hz, LVDS: 720P @60Hz; dual-channel MIPI DSI: 2560 x 1440 @60Hz	
		Audio	1 x 3.5mm Combo audio jack
		Speaker	1 x Speaker connector
	Camera	1 x MIPI CSI, 2 x 10 x 2.0mm	
	I/O	Serial port	2 x RS232, DB9 Connector 2 x RS232/RS485, DB9 Connector
USB		4 x USB 2.0 Type-A (USB OTG supported on the top right port) 1 x USB 3.0 Type-A	
SIM slot		1 x Micro SIM slot	
GPIO		8 x GPIO, 3.3V	
Watchdog		Supported	
RTC		Supported	
Expansion		Mini-PCIe	1 x Mini-PCIe for connecting the 4G LTE module
System Control	Button	1 x ON/OFF button 1 x Reset button	
	LED	1 x Power LED (Red) 1 x System LED (Green) 1 x 4G LED (Green) 1 x User defined (Green)	
		OS	Android 11, GMS certified (Optional: Linux)
Device management platform		BlueSphere MDM (Android version only)	
OTA tool		BlueSphere OTA	
Power	Input	12V/24V 3A DC (±5%) 1 x 3 x 3.81mm power terminal	
	Consumption	15W	
Mechanical	Dimensions	160mm x 110mm x 30mm (Enclosure only) 195mm x 110mm x 30mm (With mounting bracket)	
	Weight	680g	
	Installation	Desktop/Wall mounting	
Environment Condition	Temperature	Operating: 0°C~+60°C Storage: -40°C~+85°C	
	Humidity	Operating: RH 5%~95% Storage: RH 5%~95%	
	ESD	±4KV (contact) and ±8KV (air)	
	Certification	FCC, CE	

Product Outlines



Ordering Information

Ordering No.	Memory	Storage	Cellular	Wi-Fi & Bluetooth	GMS certified
IBOX66-L4	2GB	16GB	Yes	Yes	-
IBOX66-L	2GB	16GB	-	Yes	-
IBOX66-H4G	4GB	32GB	Yes	Yes	Yes
IBOX66-H4	4GB	32GB	Yes	Yes	-
IBOX66	4GB	32GB	-	Yes	-

* More variants are available, please contact the sales executive for details.

Packing list	
IBOX66 Embedded industrial computer	1
Wi-Fi & Bluetooth antenna	1

Optional accessories	
12V DC power adapter	1
Power cord	1
DC Power connector	1
4G LTE antenna	2

Since its establishment in 2002 by two Silicon Valley entrepreneurs, Vantron Technology has been at the forefront of the connected IoT devices and IoT platform solutions. Today, Vantron boasts a global customer base that includes several Fortune 500 companies. Its product lines cover edge intelligent hardware, IoT communication devices, industrial displays and BlueSphere cloud device management platform.

With over 20 years of experience in R&D of embedded edge intelligent hardware, Vantron has provided users with diverse embedded solutions featuring ARM and X86 architectures. Its offerings range from Linux to Windows, from embedded to desktop level, and from gateway to server. In addition, it provides users with system clipping, driver transplantation and other related services.