

HT6200 HDBaseT™ Multimedia Player



Product Brief

Vantron HT6200 HDBaseT™ multimedia player provides a long-distance data transmission solution over the HDBaseT output jacks that deliver uncompressed video signals with resolutions up to 4K ultra-HD. HT6200 is powered by Intel® Celeron® processor and provides two DDR4 SO-DIMMs for a maximum of 64GB memory and a default 128GB storage.

HT6200 offers a maximum of two HDBaseT output interfaces that support a transmission distance of up to 100 meters without compromising speed or efficiency. The anti-interference design ensures high-quality video and audio signals remain free from interference during transmission, while also maintaining data consistency without latency. It offers Ethernet, Wi-Fi, and Bluetooth for communication, and the USB ports allow for the connection of diverse peripherals for different purposes. Moreover, the VESA pattern on the bottom of the device enables flexible installation at the desired location, making it highly suitable for use in scenarios such as medical imaging, surveillance systems, video walls, and digital signage.

Exterior and Features



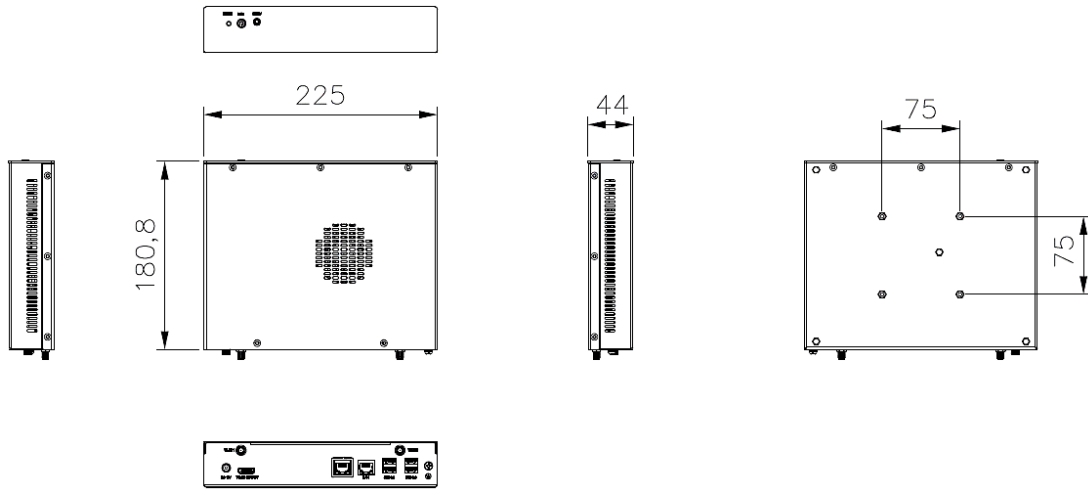
HT6201 for illustration

HT6200	
	Intel® Celeron® processor
	HDBaseT™ Uncompressed data without latency
	Up to 100M transmission distance
	4K UHD video output
	Wi-Fi/BT/ETH for communication
	USB 2.0 & USB 3.0
	VESA pattern for flexible installation

HT6200 HDBaseT™ Multimedia Player Datasheet

HT6200		
System	CPU	Intel® Celeron® 6305E 2C2T TDP 15W, up to 1.8GHz
	GPU	Intel® UHD Graphics
	Memory	2 x DDR4-3200 SO-DIMM socket, 8GB (up to 64GB)
	Storage	128GB SSD (M.2 M-key 2280)
Communication	Ethernet	1 x RJ45, 10/100/1000Mbps
	Wireless	Wi-Fi 802.11 a/b/g/n/ac + BT 5.0
I/Os	Media	1/2 x RJ45, HDBaseT output (up to 3840 x 2160 @30Hz)
		1 x HDMI 1.4 (up to 3840 x 2160 @30Hz)
		1 x 3.5mm Combo audio jack
	USB	2 x USB 3.0 Type-A
		2 x USB 2.0 Type-A
	Antenna	2 x SMA connector
	RTC	Supported
Watchdog timer	Hardware WDT	
System Control	Button	1 x Power button with LED indicator
		1 x Reset button
Software	OS	Windows 10 IoT (Optional: Linux)
Power	Input	12V ~ 24V 5A
		1 x DC jack
Mechanical	Dimensions	225mm x 180.8mm x 44mm
	Installation	VESA (75mm x 75mm, M3 x 6mm)
	Heat dissipation	Fan
Environment Condition	Temperature	Operating: 0°C ~ +40°C
		Storage: -20°C ~ +60°C
	Humidity	Operating: 10%~90% RH (non-condensing) Storage: 5%~95% RH (non-condensing)
Certification	CE, FCC, CCC	

Product Outlines



Ordering Information

Ordering No.	CPU	HDBaseT (RJ45)	Memory + Storage	Communication
HT6201	Intel® Celeron® 6305E processor	1	8GB + 128GB	Wi-Fi & BT + Ethernet
HT6202	Intel® Celeron® 6305E processor	2	8GB + 128GB	Wi-Fi & BT + Ethernet

* More variants are available, please contact the sales executive for details.

Packing list	
HT6200 HDBaseT Multimedia player	1
Qualified certificate	1
Wi-Fi & BT antenna	2

Optional accessories	
12V DC power adapter	1
AC power cord (US)	1

Since its establishment in 2002 by two Silicon Valley entrepreneurs, Vantron Technology has been at the forefront of the connected IoT devices and IoT platform solutions. Today, Vantron boasts a global customer base that includes several Fortune 500 companies. Its product lines cover edge intelligent hardware, IoT communication devices, industrial displays and BlueSphere cloud device management platform.

With over 20 years of experience in R&D of embedded edge intelligent hardware, Vantron has provided users with diverse embedded solutions featuring ARM and X86 architectures. Its offerings range from Linux to Windows, from embedded to desktop level, and from gateway to server. In addition, it provides users with system clipping, driver transplantation and other related services.