

G402 Edge Computing Gateway



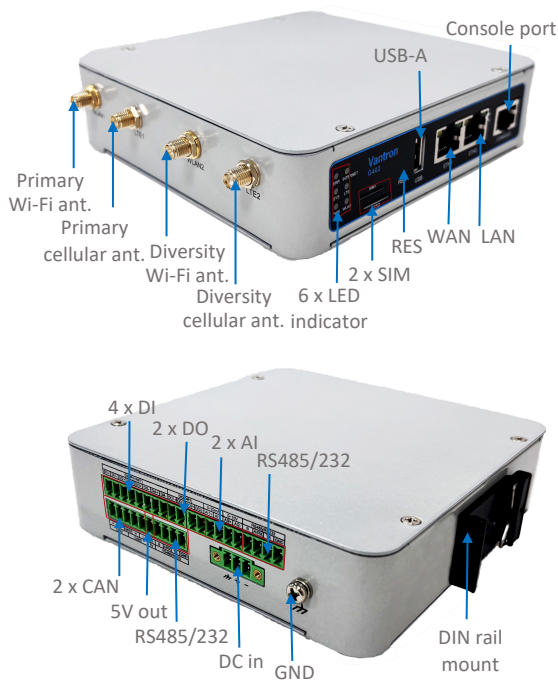
Product Overview

Vantron G402 industrial edge computing gateway is an Arm®-based cost-effective solution built for industrial applications. The gateway features dual-SIM 4G connectivity, Wi-Fi, bluetooth, dual Ethernet jacks, while supporting virtual private network (VPN) to address diversified networking requirements. It also offers multiple DI, DO, and AI channels for status monitoring, control, and data visualization.




G402 features edge computing capabilities, enabling data processing and analysis directly at the edge for faster decision-making. It supports various southbound protocols, including Modbus TCP, Modbus RTU, EtherNet/IP, ISO-on-TCP, and CC-Link, ensuring seamless communication with industrial devices. The MQTT northbound protocol allows for flexible transfer of edge data to cloud servers. Meanwhile it supports interfacing with prevailing cloud platforms, including the self-developed BlueSphere GWM platform, for remote management to ease the efforts of users by real-time monitoring, OTA updates, remote maintenance, and task assignment.

Industrial interfaces such as RS232/RS485, DI, DO, AI, and CAN bus enable communication with a wide range of peripherals, while the DIN rail mount offers compact and efficient space utilization in cabinets, automation systems, and industrial control panels. G402 is an ideal solution for industrial applications such as industrial automation, grid infrastructure, and water management.

Exterior and Features



G402

-  Low power, complete industrial design
-  DI/DO/AI, isolated CAN buses & RS232/RS485
-  Dual gigabit ETH, dual SIM backup, Wi-Fi, Bluetooth
-  Southbound and northbound protocols for data transfer
-  Local edge computing support
-  SDK available with system-level API
-  Optional BlueSphere GWM support for remote control
-  Industrial extended temperature and input voltage
-  Space-efficient design for flexible installation

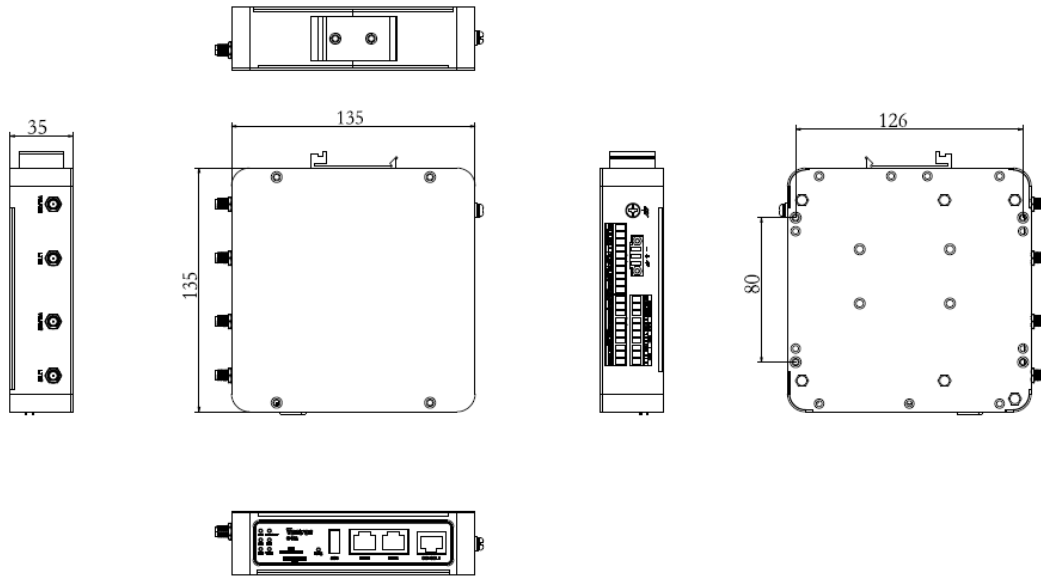
G402 Edge Computing Gateway Specifications (Hardware)

G402			
System	CPU	Single-core 64-bit Arm Cortex-A53 microprocessor, 1.0GHz (Max.) Single-core Arm Cortex-R5F MCU, 800MHz (Max.) Single-core Arm Cortex-M4F MCU, 400MHz (Max.)	
	Memory	512MB DDR4	
	Storage	8GB eMMC	
Cellular	Modem	4G LTE, CAT 4	
	SIM	2 x Micro SIM slot	
	Antenna	2 x Antenna (SMA-K connector)	
Ethernet	Port	2 x RJ45, 10/100/1000Mbps	
	Configuration	1 x WAN + 1 x LAN	
Wi-Fi	Standard	IEEE 802.11 b/g/n/ac	
	Frequency band	2.4GHz, 5GHz	
	Working mode	AP, Station	
	Antenna	2 x Antenna (RPSMA-K connector)	
	Security	AES, WPS	
Bluetooth	Bluetooth	Bluetooth 5.2	
I/O	Serial port	2 x RS232/RS485 (isolated), Max. 250kbps	1 x 5V output
	USB	1 x USB 2.0 Type-A	
	DI	4 x DI (dry / wet contact)	
	DO	2 x DO, 5A @30V DC	
	AI	2 x AI (measurement signal: 0~20mA or 4~20mA / 0~5V or 0~10V)	
	CAN	2 x CAN bus (isolated)	
	Debug	1 x RJ45 console port (Baud rate: 115200)	
	Button	1 x Restore button (≤ 3s: restart; 5-8s: factory reset)	
System Control	LED indicator	1 x Power indicator	1 x Internet indicator
		1 x Status indicator	1 x 4G LTE indicator
		1 x Error indicator	1 x WLAN indicator
	Watchdog timer	Hardware watchdog	
RTC	Supported		
Power	Input	9V-36V DC	
	Socket	1 x 3-pin x 3.81mm	
	Protection	Over-current protection, Reverse polarity protection	
Physical Characteristics	Dimensions	135mm x 135mm x 35mm	
	Enclosure	Metal	
	Weight	716g (not including accessories)	
	Installation	DIN rail mounting	
	IP rating	IP40	
	Cooling mode	Heat sink	
	Mechanical test	Drop: IEC60068-2-32	Shock: IEC60068-2-27
Vibration: IEC60068-2-6			
EMC	ESD	IEC 61000-4-2 (Contact: 6kV, Air: 8kV)	
Environmental Condition	Temperature	Operating: -40°C ~ +80°C	Storage: -40°C ~ +85°C
	Humidity	5%-95% RH (non-condensing)	
Certification	Compliance	FCC, ISED, CE	
	Carrier certification	AT & T, Verizon, T-Mobile	

G402 Edge Computing Gateway Specifications (Software)

G402		
Edge Computing	Edge computing script	JavaScript, MicroPython
	Southbound protocol	Modbus TCP, Modbus RTU, EtherNet/IP, ISO-on-TCP, CC-link, etc.
	Northbound protocol	MQTT
Custom Development	IPK import	Supported
	Documentation support	SDK available, API documentation
Device Management	Operating system	Web-based VantronOS
	Configuration	VantronOS, SSH, console port, cloud-based BlueSphere GWM (Optional)
	Remote management	BlueSphere GWM (Optional)
	Upgrade	VantronOS, BlueSphere GWM (Optional)
Routing & Network Reliability	Network protocol	IPV4, HTTPS, TCP & UDP, NTP client and server, ARP, TLS
	Link detection & report	Address: IP, URL Protocol: ICMP, TCP, HTTP
	Failover	Auto routing, Auto reconnection Network priority: Ethernet > Wi-Fi client > Cellular (def.)
	Dual SIM	Dual SIM failover, automatic switch
	NAT	Dynamic, Static
	WAN protocol	DHCP client, PPPoE, Static IP
	Network management	SNMP v1/v2c/v3
	IP application	Ping, Traceroute, Nslookup, DHCP Server/Client, DDNS
Network Diagnostics	IP routing	Static routing
	Network capture	By time or packet count
	Statistics	Traffic data and up time at Ethernet WAN, Wi-Fi client WAN, cellular WAN Cellular and Wi-Fi signal strength; SIM card switch frequency
	Health check	Usage of CPU, memory, disk Service running status Alarm on Ethernet/Wi-Fi/cellular hardware abnormality
	Log	System log, diagnostic log Log export supported
Security	Firewall	Stateful, whitelist control, port mapping
	Access control	MAC address filtering, IP address filtering
	VPN	PPTP, L2TP, GRE, IPSec, OpenVPN
	Firmware validation	SHA256 checksum

Product Outlines



Ordering Information

Ordering No.	Memory	Storage	Ethernet	Description
G402	512MB	8GB	1 x WAN, 1 x LAN	RS232/RS485, CAN, DI, DO, AI, IP40

Packing list	
G402 Edge computing gateway	1
Wi-Fi antenna	2
4G LTE antenna	2
I/O mating connector	3
DC power connector	1

Optional accessories	
12V DC Power adapter	1
Power cord	1

Since 2002 established by two Silicon Valley entrepreneurs, Vantron Technology has been a pioneer in connected IoT devices and IoT platform solutions. Today, Vantron is serving customers all over the world, including many Global Fortune 500 companies. The product lines cover intelligent edge hardware, IoT communication devices, industrial displays and the cloud-based BlueSphere device management platform.

Vantron offers IoT communication devices that enable multi-protocol connections for industrial equipment and local data processing through edge computing. With abundant wired and wireless connectivity options, remote operations and maintenance have become easier than ever. Such devices can be deployed across different sectors such as smart retail, medical and warehousing. Moreover, Vantron's IoT solutions are designed to facilitate enterprises' digital transformation, streamline operations, enhance productivity, etc.