

G335 Edge Computing Gateway

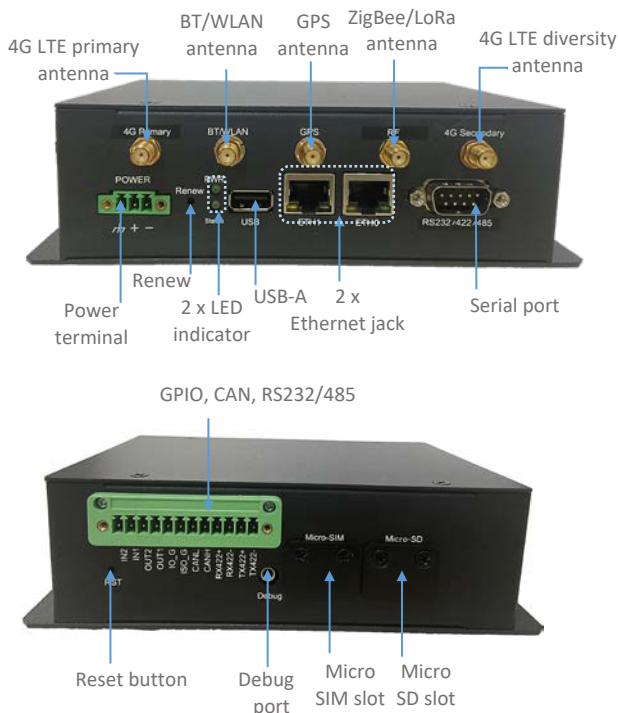


Product Brief

Vantron G335 edge computing gateway is a flagship gateway launched to meet the needs of Machine-to-Machine (M2M) communication and IIoT applications in various industrial scenarios. The gateway supports a variety of industrial protocols to allow access by field industrial devices such as PLCs, controllers, sensors, etc. The edge computing functionality helps to achieve data optimization at IoT edge nodes, which reduces the data volume accumulated in the field and the central console. With standard MQTT protocol, the gateway provides broad access to industrial data platforms to facilitate the digital transformation of factories.

The gateway adopts industrial design with guaranteed quality and reliability to offer an ideal solution for your IoT application. It supports a wide range of wireless communication networks, including 4G LTE cellular network, WLAN, GPS, Zigbee, LoRa, and Bluetooth. Meanwhile it may interface with Vantron BlueSphere GWM for remote and centralized management that eases the efforts of users and reduces device shutdown, therefore facilitating the digital transformation of factories.

Exterior and Features



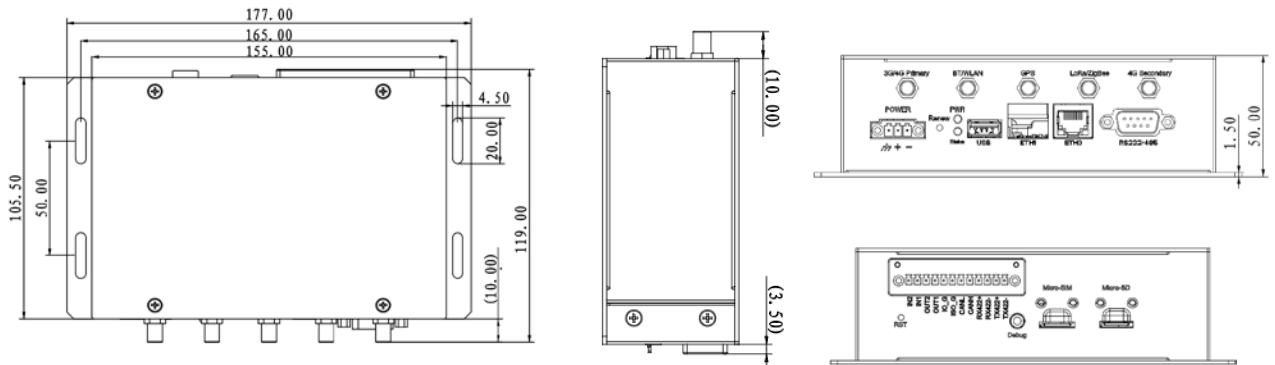
G335

- TI, AM335x, ARM Cortex-A8, 32-Bit, 1GHz
- Low power, high performance
- Ample industrial interfaces
- Wide input voltage range
- Wired and wireless network accesses
- Multiple industrial protocols supported for communication with field PLCs, etc.
- MQTT protocol supported for data uploading to the cloud
- Local edge computing supported
- C/C++/Python/Node-Red/Node JS supported
- Complete industrial design

G335 Edge Computing Gateway Datasheet

G335			
System	CPU	TI, AM335x, ARM Cortex-A8, 32-Bit, 1GHz	
	Memory	512MB	
	Storage	16GB 1 x Micro SD card	
Communication	Ethernet	2 x Giga Ethernet Port (One port with PoE function)	
	4G LTE	CAT M/CAT 4 (Optional)	2 x SMA antenna connector
	Wi-Fi & Bluetooth	Wi-Fi 802.11 a/b/g/n/ac + BT 5.0	1 x SMA antenna connector
	Local RF module	ZigBee/LoRa module (Optional)	1 x SMA antenna connector
	GNSS	GPS (Optional)	1 x SMA antenna connector
I/Os	Serial port	1 x RS232, for debugging	
		1 x RS232/RS485 (DB9)	
		1 x RS232/RS485/RS422 (Reserved on the terminal block)	
	USB	1 x USB 2.0 Type-A	
	GPIO	2 x Input, 2 x Output, isolated (Optional)	
	Alarm	1 x Buzzer alarm (Optional)	
	RTC	Supported	
System Control	CAN	1 x CAN 2.0b (Reserved on the terminal block)	
	Button	1 x Reset button	1 x Renew button
Mechanical	LED indicator	1 x Power indicator	1 x Status indicator
	Dimensions	155mm x 105mm x 50mm (Enclosure only)	
		177mm x 105mm x 50mm (With wall mounting bracket)	
	Enclosure	Metal	
	Installation	DIN rail mounting, wall mounting	
	IP rating	IP30	
	Heat dissipation	Fanless	
Power	Input	6-36V DC, Over-current protection, Reverse polarity protection	
	Terminal	3-pin 3.81mm power terminal	
	Consumption	1.8W on average (Without considering wireless module consumption)	
Software	OS	VantronOS	
	Custom development	SDK available, C/C++/Python/Node-Red/Node JS supported	
	Device management platform	Vantron BlueSphere GWM	
	Northbound protocol	MQTT	
	Edge computing script	JavaScript, MicroPython	
	Southbound protocol	Modbus TCP, Modbus RTU, EtherNet/IP, ISO-on-TCP, CC-link, etc.	
	IPK import	Supported	
	Interface language	Chinese and English (Default)	
		Other languages (Optional)	
	Log	Supported	
	Configuration mode	Local, remote	
Upgrade	Local, OTA update		
Network	NAT	Supported	
	Network management	SNMP v1/v2c/v3	
	NTP	Supported	
	IP application	Ping, Traceroute, Nslookup	
	Routing	Static routing	
Security & Reliability	Firewall	Supported	
	VPN	OpenVPN, L2TP, PPTP, IPSec	
	Multi-level permission	Supported	
	Link detection	Heartbeat detection, automatic re-connection	
	Network reliability	Failover supported, link backup between Ethernet, Wi-Fi and 4G/LTE	
Environment Condition	Temperature	Operating: -20°C ~ +70°C (Optional: -40°C ~ +85°C)	
		Storage: -40°C ~ +85°C	
	Humidity	RH 5%-95% (Non-condensing)	
Certification	FCC, PTCRB		

Product Outlines



Ordering Information

Ordering No.	4G/LTE	LTE antenna	Wi-Fi & BT Antenna	DIN rail mounting bracket
G335-FMNA	CAT M	Yes	Yes	Yes
G335-F4NA	CAT 4	Yes	Yes	Yes
G335	-	-	Yes	Yes

* More variants are available, please contact the sales executive for details.

Packing list	
G335 Edge computing gateway	1
DIN rail mounting bracket	1
Wi-Fi antenna	1

Optional accessories	
12V DC Power adapter & power cord	1 kit
DC power connector	1
4G LTE antenna	2
RF antenna	1
GPS antenna	1

Since its establishment in 2002 by two Silicon Valley entrepreneurs, Vantron Technology has been at the forefront of the connected IoT devices and IoT platform solutions. Today, Vantron boasts a global customer base that includes several Fortune 500 companies. Its product lines cover edge intelligent hardware, IoT communication devices, industrial displays and BlueSphere cloud device management platform.

Vantron offers IoT communication devices that facilitate multi-protocol connections for industrial equipment and local data processing through edge computing. With abundant wired and wireless connectivity options, remote operations and maintenance have become easier than ever. Such devices can be deployed across different sectors such as smart retail, medical and warehousing. Vantron IoT solutions are designed to facilitate enterprises' digital transformation, streamline operations, and enhance productivity.