

Table of Contents

1.	Overview	1
1.1	Product Brief	1
1.2	Features	1
1.3	Block Diagram	2
1.4	Product Outlines	2
1.5	Applications	2
1.6	Specifications	3
1.7	Pinout.....	4
2.	System Design	6
2.1	Power Management	6
2.2	Interfaces	6
2.3	Recommended Usage Schematics	7
2.4	Timing Sequence.....	9
3.	Electrical Characteristics	10
3.1	Absolute Maximum Ratings	10
3.2	Recommended Operating Conditions.....	10
3.3	Power Consumption	11
3.4	RF Specifications	13
4.	Ordering Information.....	14
5.	Company Profile.....	14

VT-MOB-AH Wi-Fi HaLow Module



1. Overview

1.1 Product Brief

VT-MOB-AH is an LGA Wi-Fi HaLow module that incorporates a single-chip SoC, Morse Micro MM6108, which includes radio, PHY, and MAC sections designed in accordance with IEEE 802.11ah standard. The standard provides support for operation in the sub 1GHz license exempt RF bands. The module features an ultra-long-reach power amplifier (PA), a high linearity low-noise amplifier (LNA), a transmit/receive (T/R) switch, and a 32 MHz crystal. It is designed for providing a simplified Wi-Fi HaLow connection to an external host for applications where customers want to easily replace their prior RF technology with a Wi-Fi HaLow connection while using the latest WPA3 security protocol.

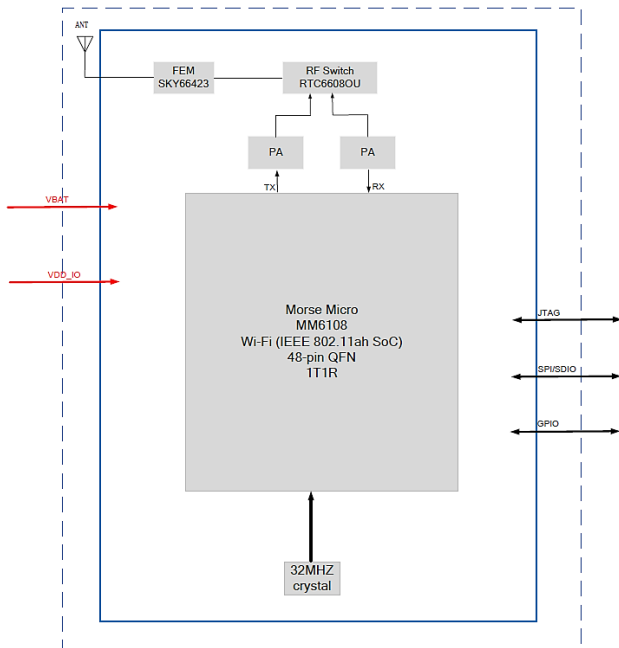
VT-MOB-AH offers an SDIO 2.0 compliant slave interface and supports SPI mode operation. Its MAC supports both station (STA) and access point (AP) roles, making it versatile for different applications.

VT-MOB-AH can be easily integrated to IoT communication devices to allow users to quickly build their own Wi-Fi HaLow solutions.

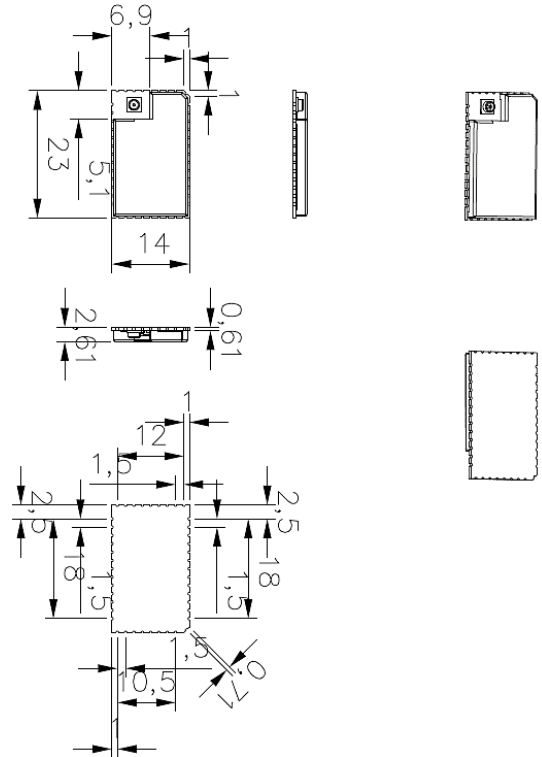
1.2 Features

- Packaging: LGA
- Single-stream data rate up to 32.5 Mbps @8MHz or 15 Mbps @4MHz channel bandwidth
- Support worldwide Sub-1 GHz frequency bands
Frequency range: 850MHz~950 MHz
Channel bandwidth options: 1/2/4/8 MHz
Support 1 MHz and 2 MHz duplicate modes
Max output power: 21 dBm
Packet detection & channel equalization
- IEEE Std 802.11ah-2016 compliant
- Automatic frequency and gain control
- Support both STA and AP modes
- Security
AES encryption engine
SHA1 and SHA2 hash functions (SHA-256, SHA-384, SHA-512)
WPA3 including protected management frames (PMF)
- Host interface
SDIO 2.0 (slave) Default Speed (DS) at 25MHz
SDIO 2.0 (slave) High Speed (HS) at 50MHz
Support both 1-bit and 4-bit data modes
Support SPI mode operation
- BPSK & QPSK, 16-QAM & 64-QAM Modulation
- Modulation and Coding Scheme (MCS) levels: MCS 0~7 and MCS 10

1.3 Block Diagram



1.4 Product Outlines



1.5 Applications

- Home automation
 - Alarm system, security cameras, smart doorbells
 - Entertainment (media streaming adapters, speakers)
 - Baby monitors
 - Garage door openers
 - Door locks
 - Smart appliances
 - Energy management
 - Voice control frontends
 - Consumer robotics
- Portables & Wearables
 - Smart watches
 - Smart glasses
 - Health trackers
- Building automation
 - Building access control & security
 - HVAC & air quality control
 - Smart city network
 - Commercial robotics
 - EV battery charger telemetry
 - Vehicle firmware OTA update
- Retail & Logistics
 - Digital signage
 - Kiosks / POS / vending
 - Fleet management
 - Inventory management / scanners
- Industrial Automation
 - Autonomous mobile robotics
 - Material handlers / trackers

1.6 Specifications

VT-MOB-AH					
Major Chipset	Morse Micro MM6108 HaLow SoC				
I/O	Host interface	1 x SDIO/SPI			
	GPIO	9 x GPIO			
	Antenna	1 x U.FL connector			
	JTAG	Supported			
WLAN Features	Wi-Fi standard	IEEE 802. 11ah			
	Frequency range (Sub 1 GHz bands)	850MHz ~ 950MHz			
	Channel bandwidth	1 / 2 / 4 / 8 MHz			
	Data rate	1 MHz	2 MHz	4 MHz	8 MHz
		3.33Mbps (Max.)	7.22Mbps (Max.)	15Mbps (Max.)	32.5Mbps (Max.)
	Security	AES encryption engine SHA1 and SHA2 hash algorithms (SHA-256, SHA-384, SHA-512) WPA3 including protected management frames (PMF)			
Mechanical	Dimensions	23mm x 14mm x 2.6mm			
	Voltage	VBAT: 3.3V	VDD_FEM: 3.3V	VDDIO: 3.3V	
	Temperature	Operating: -40°C~+85°C		Storage: -40°C~+90°C	
	Humidity	Less than 85% (Non-condensing)			
	Packaging	LGA			
	Certificate	FCC, IC, CE			

1.7 Pinout



Pin	Name	Type	Primary function	Other function
1	GND_1	Power	Ground	
2	GND_2	Power	Ground	
3	GND_3	Power	Ground	
4	GND_4	Power	Ground	
5	GND_5	Power	Ground	
6	GND_6	Power	Ground	
7	JTAG_TCK	I	JTAG Clock	
8	JTAG_TD ^①	I	JTAG Data In	
9	NC	NC	Do Not Connect	
10	JTAG_TMS ^①	I	JTAG Mode Select	
11	JTAG_TRST	I	JTAG Reset	
12	JTAG_TDO ^①	O	JTAG Data Out	
13	NC	NC	Do Not Connect	
14	NC	NC	Do Not Connect	
15	GND_7	Power	Ground	
16	GPIO_9 ^②	I/O	General Purpose IO9	
17	GPIO_8 ^②	I/O	General Purpose IO8	
18	GPIO_7 ^②	I/O	General Purpose IO7	UART1_TX ^④
19	SD_D1 ^③	I/O	SDIO D1	SPI_INT
20	SD_D0 ^③	I/O	SDIO D0	SPI_MISO

Pin	Name	Type	Primary function	Other function
21	SD_CLK	I/O	SDIO Clock	SPI_SCK
22	VDDIO	Power	3.3V VDD_IO Supply	
23	GND_8	Power	Ground	
24	SD_CMD ^③	I/O	SDIO Command	SPI_MOSI
25	SD_D3 ^③	I/O	SDIO D3	SPI_CS
26	SD_D2 ^③	I/O	SDIO D2	
27	GPIO_6 ^②	I/O	General Purpose IO6	UART1_RX ^④
28	VCC	Power	3.3V VBAT Supply	
29	GND_9	Power	Ground	
30	GPIO_5 ^②	I/O	General Purpose IO5	I2C_SCL ^④
31	GPIO_4 ^②	I/O	General Purpose IO4	I2C_SDA ^④
32	GPIO_3 ^②	I/O	General Purpose IO3	UART0_TX, PWM1_3 ^④
33	VDD_FEM	Power	3.3V Frontend Module Supply	
34	GND_10	Power	Ground	
35	GPIO_2 ^②	I/O	General Purpose IO2	UART0_RX, PWM1_2 ^④
36	GPIO_1 ^②	I/O	General Purpose IO1	PWM1_1 ^④
37	GND_11	Power	Ground	
38	BUSY	O	Wi-Fi BUSY	
39	RESET_N ^⑤	I	System Reset	
40	WAKE ^⑤	I	Wake	
41	GND_12	Power	Ground	
42	GND_13	Power	Ground	
43	GND_14	Power	Ground	
44	ANT	Analog	Do Not Connect	

Note:

- ① JTAG pins should be tied to GND via a 10k ohm pull-down resistor
- ② All unused GPIOs should be tied to GND via a 10k ohm pull-down resistor
- ③ All SDIO bus pins should be pulled up with a 10k-100k ohm resistor as per the SDIO standard
- ④ Pending software support
- ⑤ Supplied from VBAT domain. Other digital pins are driven by VDDIO domain

2. System Design

2.1 Power Management

The power for VT-MOB-AH is derived from a 3.0 to 3.6V supply provided on pins VBAT and VDD_FEM. VBAT powers the internal circuitry of the MM6108 and VDD_FEM powers the on-board ultra-long-range power amplifier.

VDDIO sets the IO voltage of the MM6108 and should be connected to the same power supply as the host MCU. There are no strict power-up sequencing requirements, however the voltage on VDDIO must not exceed VBAT.

2.2 Interfaces

■ Digital interfaces

All unused digital IO pins must be pulled up or down to ensure they do not float. Failure to do so will result in a higher leakage current on the VDDIO supply.

■ SDIO host requirements

VT-MOB-AH implements a host interface that supports SDIO 2.0 and SPI. Please refer to 2.3 Recommended Usage Schematics for the configuration of SDIO/SPI.

At a minimum, 2 x GPIOs are required as a CMOS output to drive the RESET and WAKE signals. If power save is used, a third GPIO is needed, set as a CMOS input to receive the BUSY signal from the module.

The SDIO data and command lines should be pulled up with 10k-100k ohm resistors as per the SDIO 2.0 specification.

■ SPI host requirements

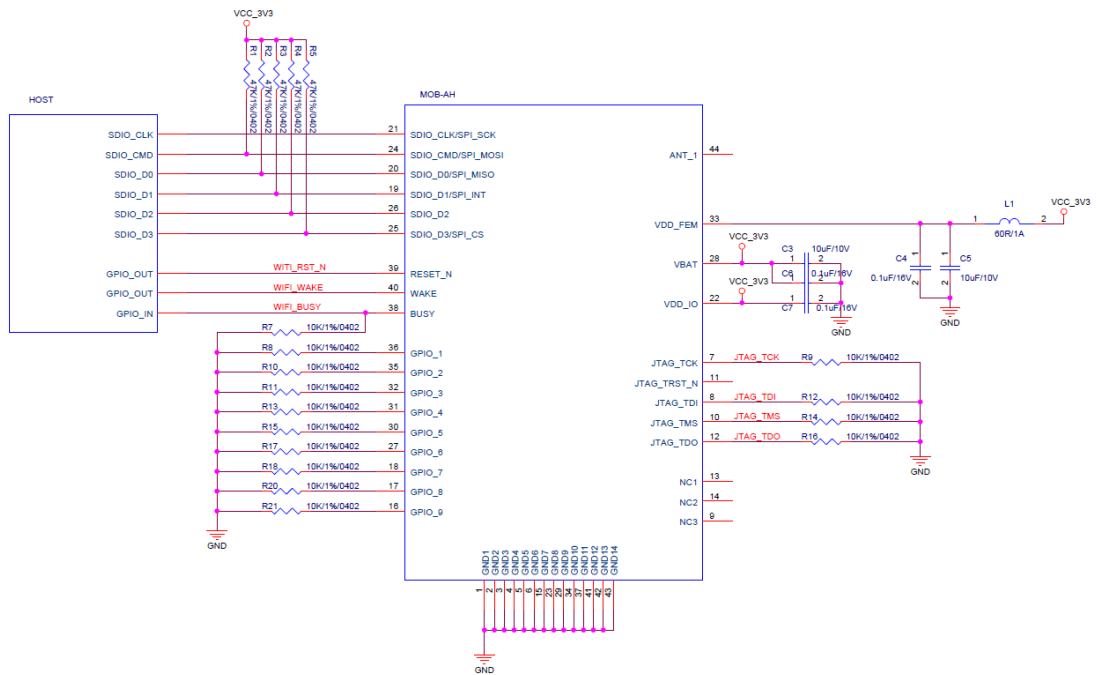
Please refer to 2.3 Recommended Usage Schematics for the configuration of SDIO/SPI.

When interfacing VT-MOB-AH with a CPU host via SPI, consider the following recommendations to achieve the best throughput:

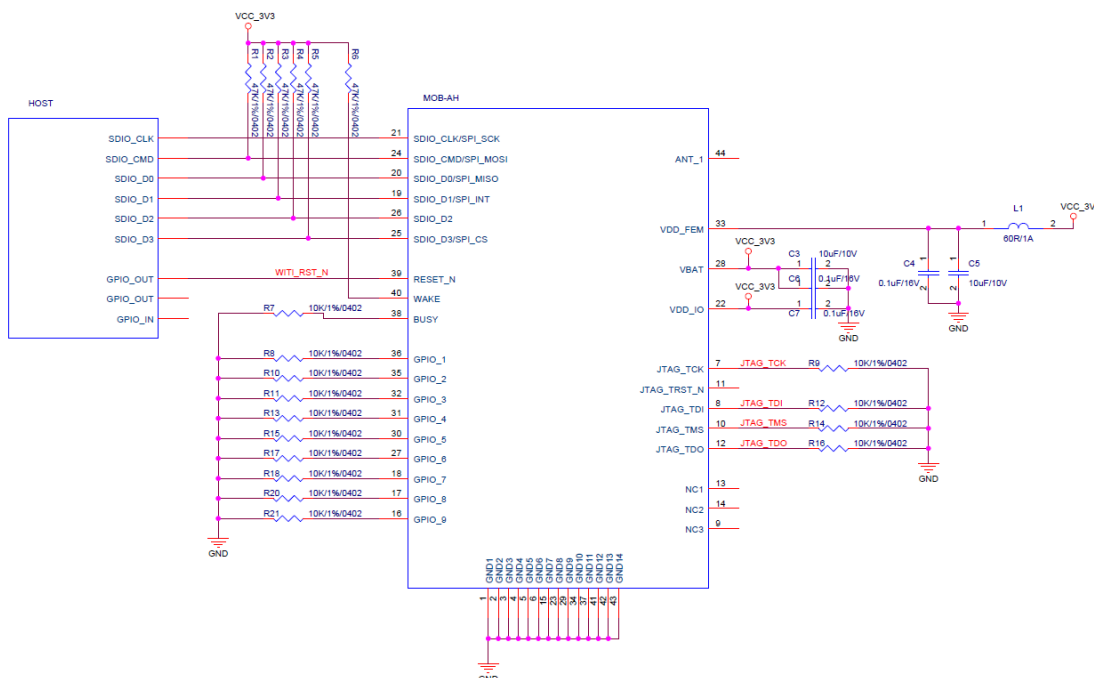
- The host should support level-triggered interrupts.
- The host should support full-duplex SPI mode.
- The host should support DMA backed transactions on the SPI bus.

Standard SPI can achieve up to 25 Mbps at 50 MHz but this will reduce significantly if there is no DMA support. For example, an SPI interface with an 8-byte buffer per transaction might only achieve 2Mbps throughput on the SPI bus.

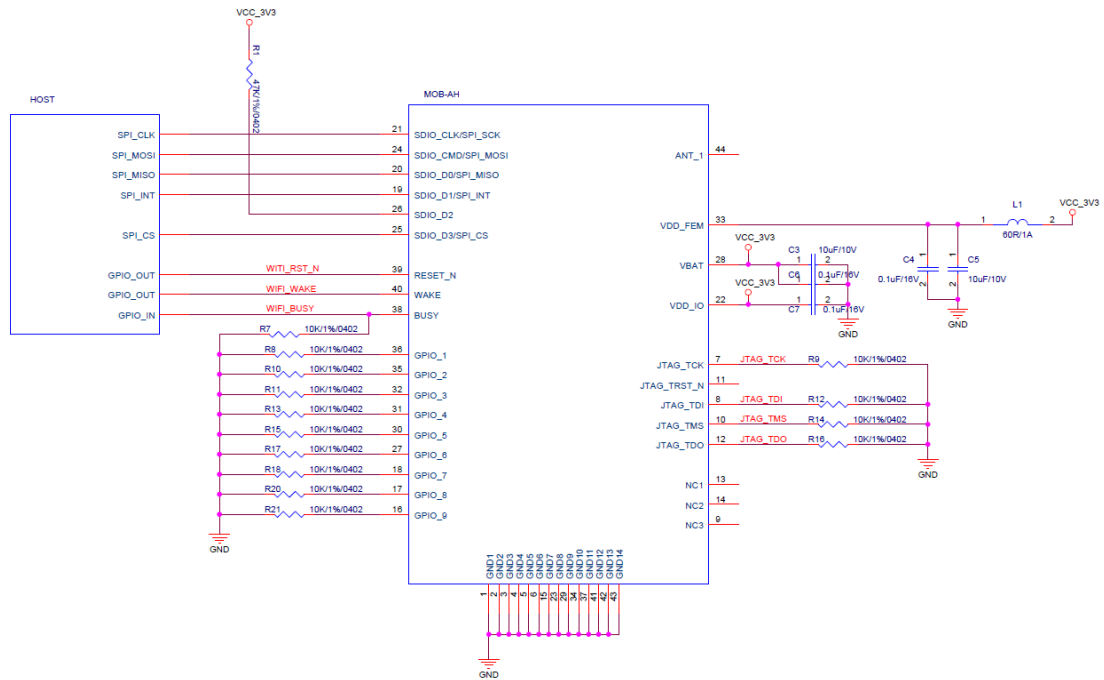
2.3 Recommended Usage Schematics



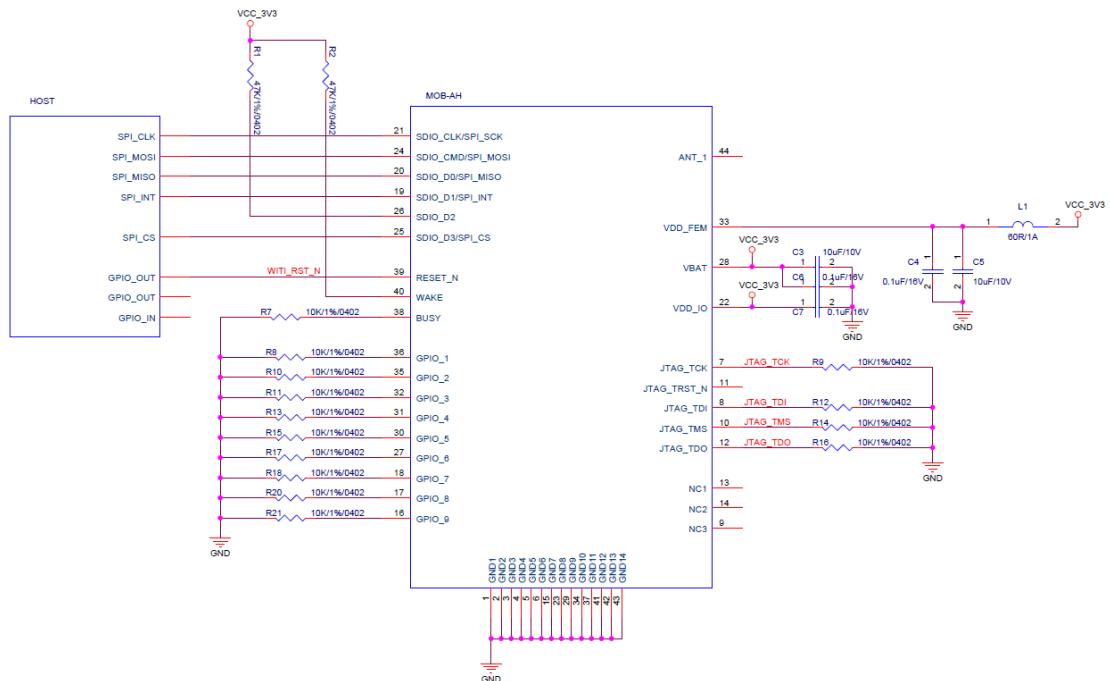
SDIO configuration



SDIO configuration with no power save



SPI configuration

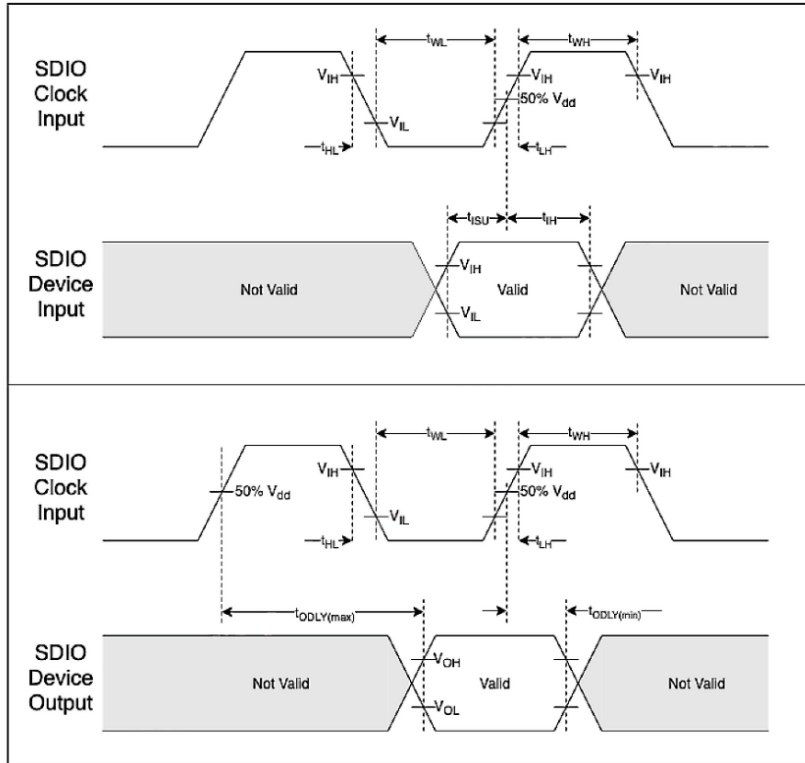


SPI configuration with no power save

2.4 Timing Sequence

SDIO bus timing

The SDIO interface supports a clock rate up to 50MHz.



Parameter	Min.	Max.
Clock parameters		
Clock frequency	0 MHz	50 MHz
Clock low time (t_{WL})	7ns	
Clock high time(t_{WH})	7ns	
Clock rise time (t_{LH})		3ns
Clock fall time (t_{HL})		3ns
Inputs on CMD, DAT lines to device from host		
Input setup time (t_{ISU})	6ns	
Input hold time (t_{IH})	2ns	
Outputs on CMD, DAT lines from device to host		
Output delay ($t_{ODLY(max)}$)		14ns
Output hold time ($t_{ODLY(min)}$)	2.5ns	
Total system capacitance for each line		40pF

■ **SPI bus timing**

The SPI interface supports a clock rate up to 50MHz. The SPI bus timing is identical to the SDIO bus timing, where MOSI and MISO are considered input and output timing, respectively, in the SDIO timing specification.

3. Electrical Characteristics

3.1 Absolute Maximum Ratings

Stress beyond absolute maximum ratings may cause permanent damage to the module. Functional operation is guaranteed for recommended operation conditions only. Operation of the device outside of recommended conditions may result in reduced lifetime and/or reliability problems even if the absolute maximum ratings are not exceeded.

Parameter	Min.	Typ.	Max.	Unit
VBAT voltage	-0.3	-	4.3	V
VDD_FEM voltage	-0.3	-	4.3	V
Voltage on digital I/O pin	-0.3	-	4.3	V
Voltage on analog/RF pin	-0.3		1.2	V
Storage temperature	-40	-	125	°C
RF input power (CW)	-	-	6	dBm

3.2 Recommended Operating Conditions

Parameter	Min.	Typ.	Max.	Unit
Ambient temperature	-40	25	85	°C
VBAT voltage	3.0	3.3	3.6	V
VDD_FEM voltage	3.0	3.3	3.6	V
VDDIO*	1.62	3.3	3.6	V
Voltage on digital I/O pin	0	3.3	VDDIO	V
RESET / WAKE I/O Voltage	0	3.3	VBAT	V

* VDDIO should not exceed VBAT.

Unless otherwise specified, performance specifications are achieved under typical operating conditions.

3.3 Power Consumption

Transmit power consumption

Mode	Condition	VBAT Current			VDD_FEM Current			Unit
		Min.	Typ.	Max.	Min.	Typ.	Max.	
Transmit current (MCS0, 21dBm, 100% D.C.)	1 MHz channel bandwidth	54	57	73	151	152	163	mA
	2 MHz channel bandwidth	54.5	60	73	150.5	152	159.5	mA
	4 MHz channel bandwidth	60.5	66	79.5	146.5	151	156	mA
	8 MHz channel bandwidth	71	78	91.5	142.5	147	153	mA
Transmit current (MCS7, 17dBm, 100% D.C.)	1 MHz channel bandwidth	48	51	62.5	98.5	104	112	mA
	2 MHz channel bandwidth	51.5	55	66.5	97.5	104	112	mA
	4 MHz channel bandwidth	57	62	73	93.5	102	108.5	mA
	8 MHz channel bandwidth	68	72	84	91	99	105.5	mA

Receive power consumption

Mode	Condition	VBAT Current			VDD_FEM Current			Unit
		Min.	Typ.	Max.	Min.	Typ.	Max.	
Listen	1 MHz channel bandwidth	25	26	35.5	4	4.5	4.7	mA
	2 MHz channel bandwidth	26	28	35				mA
	4 MHz channel bandwidth	30	32	40				mA
	8 MHz channel bandwidth	35	37	45.5				mA
Active receive MCS7	1 MHz channel bandwidth	26.5	26	35.5				mA
	2 MHz channel bandwidth	30	30	39.5				mA
	4 MHz channel bandwidth	37.5	40	49				mA
	8 MHz channel bandwidth	54	53	67				mA
Active receive MCS0	1 MHz channel bandwidth	28	26	37				mA
	2 MHz channel bandwidth	29.5	28	38.5				mA
	4 MHz channel bandwidth	36	36	47				mA
	8 MHz channel bandwidth	50	48	62.5				mA

Sleep power consumption

Mode	Condition	VBAT Current			VDD_FEM Current			Unit
		Min.	Typ.	Max.	Min.	Typ.	Max.	
Deep sleep	VBAT/VDDIO/ VDD_FEM =3.3V RC Oscillator on, wake up timer configurable	0.8	1	1.8	0.001	0.05	0.55	μA

DTIM3 power consumption

Mode	Condition	VBAT Current			VDD_FEM Current			Unit
		Min.	Typ.	Max.	Min.	Typ.	Max.	
	VBAT/VDDIO/ VDD_FEM =3.3V 102.4ms beacon interval							
S1G beacons	1 MHz channel bandwidth	380	395	420	45	47	55	μA
	2 MHz channel bandwidth	380	395	420	45	47	55	μA
	4 MHz channel bandwidth	260	280	320	24	25	30	μA
	8 MHz channel bandwidth	260	280	320	24	25	30	μA
S1G beacons with proprietary DTIM signaling	1 MHz channel bandwidth	170	190	250	12	13	43	μA
	2 MHz channel bandwidth	170	190	250	12	13	43	μA
	4 MHz channel bandwidth	155	190	200	8	9	20	μA
	8 MHz channel bandwidth	155	190	200	8	9	20	μA

3.4 RF Specifications

Receiver

Sensitivities for 10% packet error rate, 1000-byte packets:

MCS index	Modulation scheme	Coding rate	Channel Bandwidth				Minimum receive sensitivity (dBm) per bandwidth			
			1 MHz	2 MHz	4 MHz	8 MHz	1 MHz	2 MHz	4 MHz	8 MHz
0	BPSK	1/2	333	722	1500	3250	-105	-103	-101	-97
1	QPSK	1/2	667	1444	3000	6500	-102	-100	-97	-93
2	QPSK	3/4	1000	2167	4500	9750	-99	-97	-95	-91
3	16-QAM	1/2	1333	2889	6000	13000	-96	-94	-91	-88
4	16-QAM	3/4	2000	4333	9000	19500	-93	-90	-88	-85
5	64-QAM	2/3	2667	5778	12000	26000	-89	-87	-84	-80
6	64-QAM	3/4	3000	6500	13500	29250	-88	-85	-83	-79
7	64-QAM	5/6	3333	7222	15000	32500	-87	-84	-81	-77
10	BPSK	1/2 x 2	167	N/A			-107	N/A		

Transmitter

Although the following transmit power levels are IEEE 802.11ah compliant, they do not take into account any backoffs needed to adhere to regional spectrum compliance (e.g., FCC, IC, TELEC).

Tx output power (1/2 MHz)	Min.	Typ.	Max.	Unit
MCS 0	20	21	22	dBm
MCS 7	16	17	18	dBm

Tx output power (4 MHz)	Min.	Typ.	Max.	Unit
MCS 0	20.5	21	22	dBm
MCS 7	16	17	18	dBm

Tx output power (8 MHz)	Min.	Typ.	Max.	Unit
MCS 0	20.5	21	21.5	dBm
MCS 7	15.5	17	17.5	dBm

4. Ordering Information

Ordering No.	SoC	Main I/Os	Operating Temp.	SW
VT-MOB-AH	Morse Micro MM6108	GPIO, SDIO/SPI, JTAG, U.FL	-40°C ~ +85°C	-
VT-MOB-AH-EVB (VT-MOB-AH + EVB kit)	MTK MT7628	FE, RS232, RS485, GPIO, I2C 5~12V DC input	-20°C ~ +60°C	OpenWRT

Packing list	
VT-MOB-AH Wi-Fi HaLow module	1

Optional accessories	
Wi-Fi antenna	1
EVB	1 kit

5. Company Profile

Since its establishment in 2002 by two Silicon Valley entrepreneurs, Vantron Technology has been at the forefront of the connected IoT devices and IoT platform solutions. Today, Vantron boasts a global customer base that includes several Fortune 500 companies. Its product lines cover edge intelligent hardware, IoT communication devices, industrial displays and BlueSphere cloud device management platforms.

With over 20 years of experience in R&D of embedded edge intelligent hardware, Vantron has provided users with diverse embedded solutions featuring ARM and X86 architectures. Its offerings range from Linux to Windows, from embedded to desktop level, and from gateway to server. In addition, it provides users with system clipping, driver transplantation and other related services.