

VT-IoT-Dongle Portable Gateway



Product Brief

Vantron VT-IOT-Dongle is a cost-effective, portable gateway, featuring low power and high durability. It offers multiple networking modes such as Ethernet, 4G, Wi-Fi, Bluetooth, giving users much flexibility in connectivity.

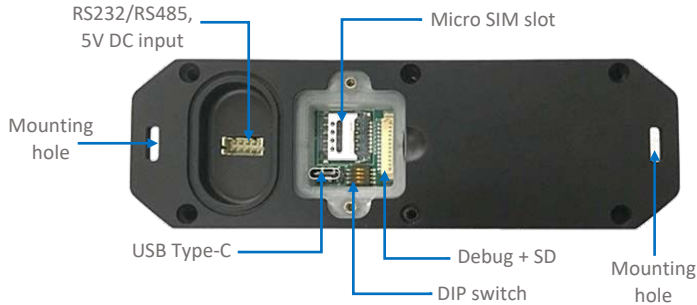
Powered by TI AM3352 Cortex-A8 processor, the device is built to withstand tough environments with IP67 reinforcement, offering a power-saving solution for use in industrial areas. It also implements user interfaces with signals for 10/100 Base-T Ethernet, serial port, and power supply. Moreover, users can customize the system with the SDK provided.

Exterior and Features








4 x LED indicator
(PWR, SYS, RX, TX)



User interface:
Ethernet/SPI,
RS232/RS485,
5V DC input



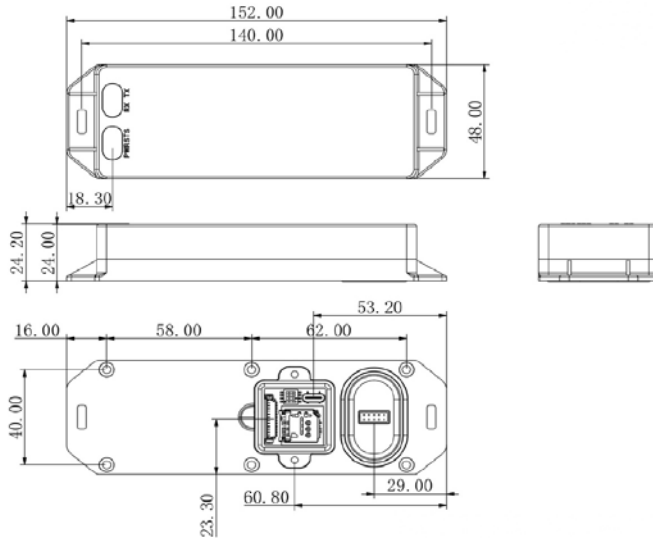
VT- IOT-Dongle

-  TI AM3352, 32-bit ARM Cortex-A8 processor
-  Multiple communication technologies
-  Reinforced design to adapt to rugged conditions
-  Rich interfaces
-  Portable, convenient installation
-  Ultra-low power consumption
-  SDK for customized development

VT- IOT-Dongle Industrial Dongle Datasheet

VT- IOT-Dongle			
System	CPU	TI AM3352, 32-bit ARM Cortex-A8 low power processor, 600MHz	
	Memory	512MB DDR3L	
	Storage	16GB eMMC	
Communication	Ethernet	1 x 100Mbps (alternative: 1 x SPI)	
	Wi-Fi & BT	On-board Wi-Fi 802.11 a/b/g/n/ac & BT 4.2	
	4G LTE	1 x Internal mini PCIe slot for 4G/LTE module	
I/Os	Serial port	1 x RS232/RS485	
	USB	1 x USB Type-C (OTG supported)	
	SIM slot	1 x Micro SIM slot	
	Antenna	Internal antennas	
	12-pin connector	1 x Serial debug port 1 x SD signal	
	RTC	Supported	
	LED indicator	1 x Power indicator 1 x Status indicator 1 x TX indicator 1 x RX indicator	
Mechanical	Dimensions	152mm x 48mm x 24.2mm	
	Weight	120g	
	Enclosure	Black plastic	
	Installation	Wall mounting	
	IP rating	IP67	
	Cooling mode	Fanless	
Power	Input	5V DC (Signal pins included in the user interface)	
Software	OS	VantronOS (Optional: Linux)	
	Custom development	SDK available, Python supported	
	Northbound protocol	MQTT	
Environment Condition	Temperature	Operating: 0°C~+50°C	Storage: -20°C~+70°C
		ETR: -40°C~+85°C (Optional)	
	Humidity	Operating and storage: RH 5%~95% at 25°C-35°C (non-condensing)	
	Certification	FCC, UL, CE, PTCRB	

Product Outlines



Ordering Information

Ordering No.	4G/LTE	Ethernet	Wi-Fi	Bluetooth
VT- IOT-Dongle-	Yes	Yes	Yes	Yes
VT- IOT-Dongle-	-	-	Yes	Yes

* More variants are available, please contact the sales executive for details.

Packing list	
VT- IOT-Dongle industrial dongle	1

Optional Accessories	
5V DC power adapter	1

Since its establishment in 2002 by two Silicon Valley entrepreneurs, Vantron Technology has been at the forefront of the connected IoT devices and IoT platform solutions. Today, Vantron boasts a global customer base that includes several Fortune 500 companies. Its product lines cover edge intelligent hardware, IoT communication devices, industrial displays and BlueSphere cloud device management platform.

Vantron offers IoT communication devices that enable multi-protocol connections for industrial equipment and local data processing through edge computing. With abundant wired and wireless connectivity options, remote operations and maintenance have become easier than ever. Such devices can be deployed across different sectors such as smart retail, medical and warehousing. Moreover, Vantron's IoT solutions are designed to facilitate enterprises' digital transformation, streamline operations, enhance productivity, etc.